



TECHNICAL DATA SHEET

Project Name Catalog #
 Comments Date

Eco-RLM Line - 10" & 12" Angle Shade

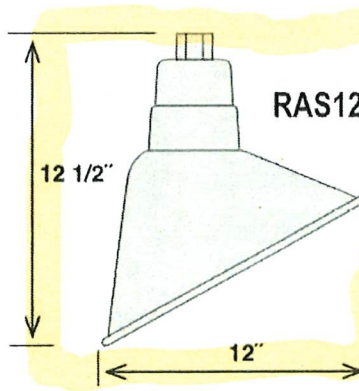
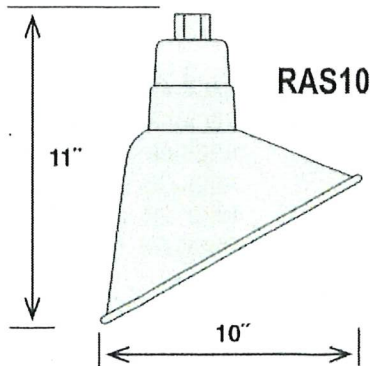
Features

- UL Listed for Wet Locations
- Every Gooseneck Arm comes with round mounting plate to fit onto standard round junction box
- 100" Wire Length Included With Every Shades
- Up to 200W Incandescent or LED Compatible



Specifications

Base Type	Medium (E26)
Bulb Type	LED / Incandescent
Voltage	120 Volts
Max Wattage	200W A21
Material	Cold Rolled Steel, and Die Cast Zinc Shade w/ Glass and Guard Options



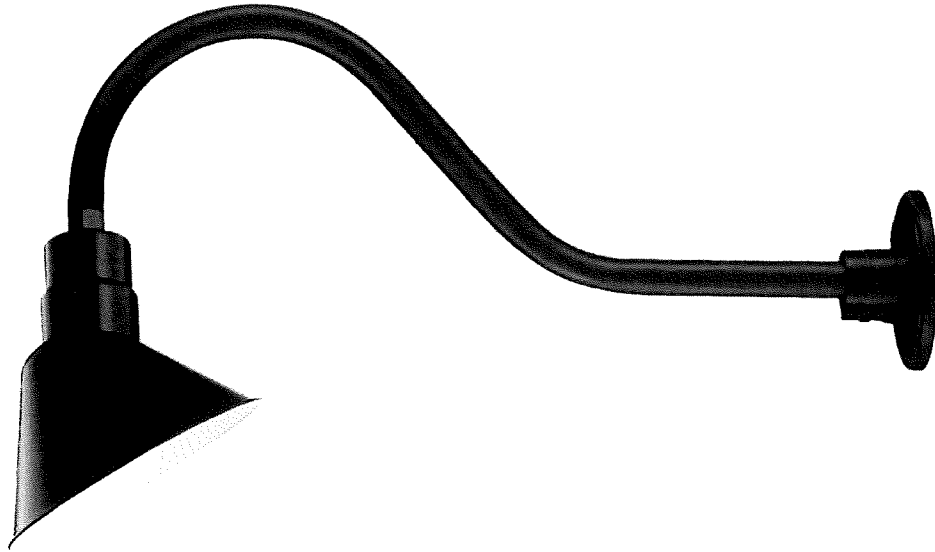
Finishes Available:

Architectural Bronze	ABR
Black Porcelain	BP
Galvanized	GA
Satin Black	SB
Satin Green	SG
Satin Red	SR
White	WH
White Porcelain	WP
Sea Foam Porcelain	SFP

Tel: +1 (813) 649-8899
 Fax: +1 (813) 425-9007

sales@htm-lighting.com
 Rev: V0916

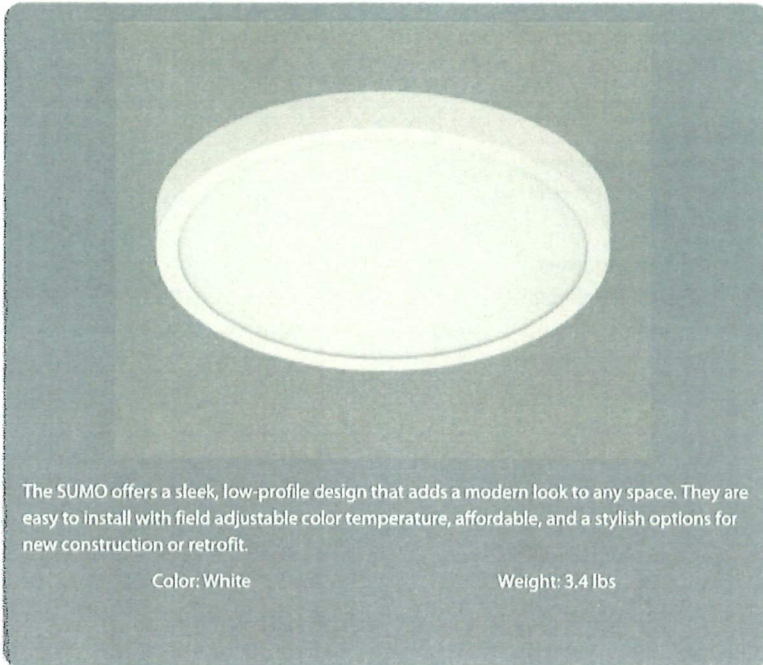
HTM Lighting Solutions
 6420 Benjamin Road,
 Tampa, FL 33634



GOOSENECK FIXTURE-BRONZE FINISH



EXAMPLE: HALO LIGHTING



Project: <input type="text"/>	Type: <input type="text"/>
Prepared By: <input type="text"/>	Date: <input type="text"/>

Driver Info		LED Info	
Type	Constant Current	Watts	26W
120V	0.24A	Color Temp	2700/3000/3500/4000/5000K
208V	N/A	Color Accuracy	90 CRI
240V	N/A	L70 Lifespan	50,000 Hours
277V	N/A	Lumens	1,950-2,200 lm
Input Watts	26W	Efficacy	75-85 lm/W

Technical Specifications

Performance

Product Type:
Edge-lit Surface Mount

Input Wattage:
26W

Lumens:
5000K: 2,200lm
4000K: 2,200lm
3500K: 2,150lm
3000K: 2,050lm
2700K: 1,950lm

Efficacy:
5000K: 85lm/W
4000K: 85lm/W
3500K: 83lm/W
3000K: 78lm/W
2700K: 75lm/W

L70 Lifespan:
50,000-Hour LED lifespan based on IES LM-70 results

Wattage Equivalency:
Equivalent to 150W Incandescent

Electrical

Driver:
Constant Current, 50/60 Hz 120V, 120V: 0.24A

THD:
≤20%

Power Factor:
≥0.9

Dimmable:
Yes, TRIAC/ELV dims down to 10%.
[See Dimmer Compatibility List.](#)

Input Voltage:
120V

Operating Frequency:
50/60Hz

Operating Temperature:
-4°F to 104°F (-20°C to 40°C)

Surge Protection:
2.5kV

LED Characteristics

Color Temperature:
Field Adjustable: 2700K,3000K,3500K,4000K,5000K

Color Accuracy (CRI):
>90 CRI

R9 Value:
High color performance with R9 greater than or equal to 50

Color Consistency:
4-step MacAdam Ellipse binning to achieve consistent fixture-to-fixture color

Color Stability:
LED color temperature is warranted to shift no more than 200K in color temperature over a 5-year period

Color Uniformity:
RAB's range of Correlated Color Temperature follows the guidelines of the American National Standard for Specifications for the Chromaticity of Solid State Lighting (SSL) Products, ANSI C78.377-2017.

Installation

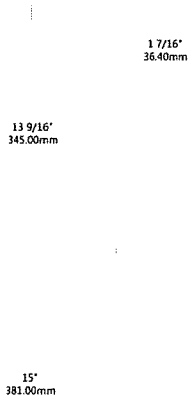
Mounting:
Surface Mount

Construction

Size:
15"

Shape:
Round

Dimensions



Features

Select from 5 field-adjustable color temperatures 5000K, 4000K, 3500K, 3000K, or 2700K

Suitable for indoor/outdoor applications in dry, damp, or wet environments

TRIAC/ELV dims down to 10%. See Dimmer Compatibility List.

Meets California Title 24 requirements

50,000-Hour LED lifespan

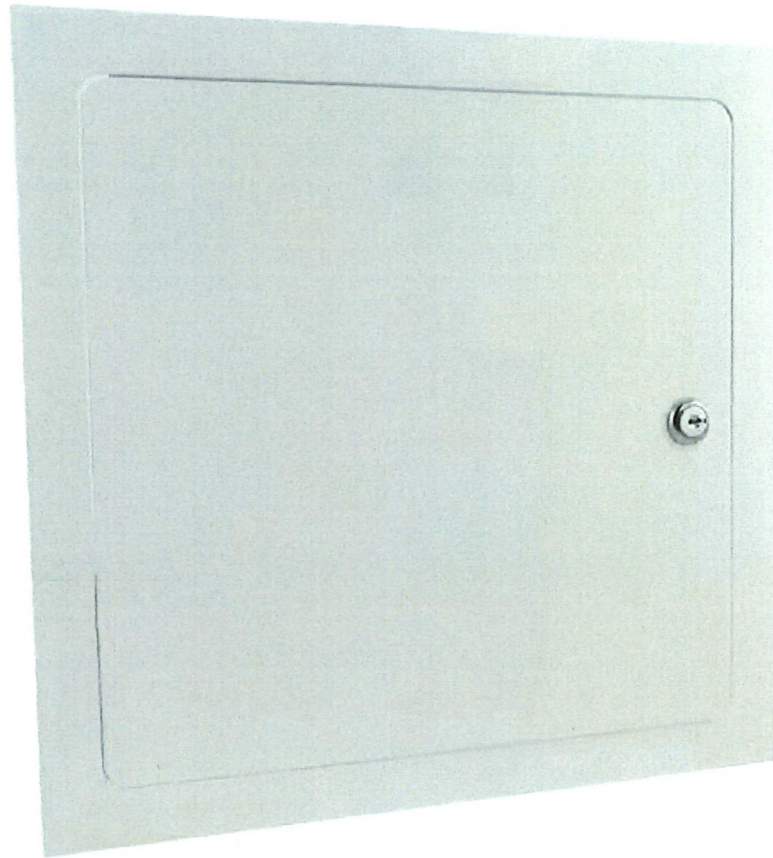
5-Year, No-Compromise Warranty

120V

Elmdor

18 in. x 18 in. Metal Wall and Ceiling Access Panel

★★★★★ (93) ✓ Questions & Answers (22)



CEILING ACCESS PANEL



Product Specification Data

maxmetal™ PLUS

Description

MAXMETAL™ Plus is an aluminum composite material comprised of two, pre-painted .20mm aluminum panels bonded to a solid polyethylene core. It's lighter in weight and more durable than both MDO and aluminum, plus it resists scratching and denting better than wood panels. The finish is ready for vinyl, screen print inks, paint, cutting, or routing.

Product Properties

Weight (Kg/m ²)	3.55
Sound Absorption NRC	0.05
Sound Attenuation R _w db	24
Water Absorption % by volume	0.01
Thermal Performance R Values	0.0057
Core Composition	Polyethylene
Flammability BS476	Part 6: Class 0, Part 7: Class 1

Panel Dimensions

Panel Thickness (mm)	3
Aluminum Thickness (mm)	0.20
Standard Sizes:	4'x 10', 5'x 10'

Product Code

MM1053MWPLUS
MM1043MWPLUS

Dimensional Tolerances

Thickness (mm)	-0 + 0.2
Width (mm)	±2
Length (mm)	±3
Diagonal (mm)	±5
Thermal Expansion	2.4mm/m @ 100°C Temp Difference
Aluminum Thickness (mm)	±0.02

Surface Properties

Paint Thickness (micron)	20
Pencil Hardness	>HB
Toughness of Coating	3T
Temperature Resistance	-50°C to +90°C
Impact Strength (kg cm ²)	42
Boiling Water Resistance	Boiling for 2 hours without change
Acid Resistance	Immersed surface in 2% HCl for 24hrs without change
Alkali Resistance	Immersed surface in 2% NaOH for 24hrs without change
Oil Resistance	Immersed surface in 20# engine oil for 24hrs without change
Solvent Resistance	Cleaned 100 times with Dimethylbenzene without change
Cleaning Resistance	>1000 times without change
Peel Strength	>5 Newton/mm



Statement of Practical Use

We believe the information on this product to be accurate. However, since we cannot anticipate or control the conditions under which this information or our products may be used, we cannot guarantee results obtained through their use. Tests of our products should be made by users to determine the suitability of these products for a specific purpose. The products are sold without warranty, either express or implied. The purchaser should refer to Grimco, Inc's price list for terms and conditions of sale, including disclaimer of warranties and limitation of liability.