

3900 SERIES

The 3900 Brickmould Frame series is available for new construction applications. A versatile window with many potential uses, the 3900 boasts clean sightlines, solid performance, and a variety of options to complete your project.

NEW CONSTRUCTION

- Single Hung
- 3/4" Deep Brickmould Frame
- 3/4" Integrated J-Channel
- 3/4" Warm-Edge Insulated Glass
- Block & Tackle Balances
- Triple Seal Sashes
- Available as Picture & Slider
- Optional Upgrades: LowE & Argon, WOCD, Vent Latches, Sash Limiters, Drywall PassThru, Primed Extension Jamb, Multiple Flat Casing Styles, Structural Mullions (For Commercial Applications), Twin, Triple, Transom, Shapes



COLORS



White / White

White Exterior / White Interior
Brilliance™ Solid White Vinyl



Beige / Beige

Solid Beige Exterior with Solid
Beige Vinyl Interior



Black / Black

Black Exterior / Black Interior
Oryx™ Acrylic Coextrusion
- **Bold Collection**



Black / White

Oryx™ Black Acrylic Coextrusion
Exterior with Brilliance™ Solid
White Vinyl Interior
- **Semi-Bold Collection**



Clay / White

Clay Exterior with Brilliance™
Solid White Vinyl Interior



Sable / White

Sable Exterior with Brilliance™
Solid White Vinyl Interior



Brick Red / White

Brick Red Exterior with
Brilliance™ Solid White Vinyl
Interior



Green / White

Green Exterior with Brilliance™
Solid White Vinyl Interior



Anthracite Grey / White

Anthracite Gray Exterior with
Brilliance™ Solid White Vinyl
Interior



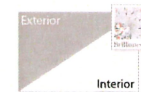
Bronze / White

Bronze Exterior with Brilliance™
Solid White Vinyl Interior



United Beige / White

United Beige Exterior with
Brilliance™ Solid White Vinyl
Interior

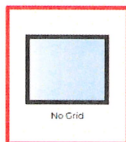


Gray / White

Gray Exterior with
Brilliance™ Solid White Vinyl
Interior

[LEARN MORE
About Our Vinyl](#)

GRID PATTERNS



No Grid



Farmhouse



Colonial



French

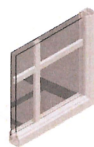


Prairie

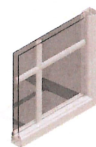


Diamond

GRID TYPES



Flat



Dimensional

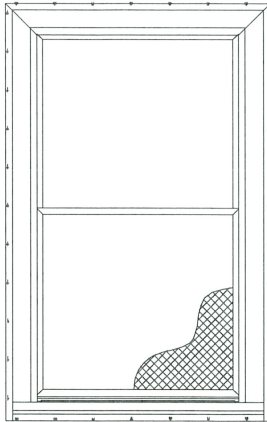


SDL

PRODUCT DOCUMENTS

- [Thermal Ratings](#)
- [Exterior Frame Profile](#)
- [United Catalog](#)
- [Spec Sheet](#)
- [LowE Glass Options](#)
- [Lifetime Warranty](#)
- [Test Results](#)
- [Product Brochure](#)
- [Our Vinyl](#)

Series 3900



EXTERIOR VIEW

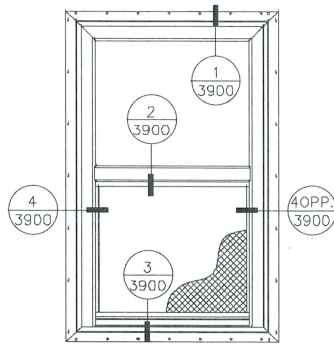
Features

- Brickmould Frame Depth- 3 $\frac{1}{4}$ "
- Glazing Pocket Depth - 3/4"
- New Construction Application
- Integral J-Channel
- Inverted Block & Tackle Balance System
- Continuous Head & Sill on Twin & Triple units
- 3/0 x 5/0 SH meets Egress

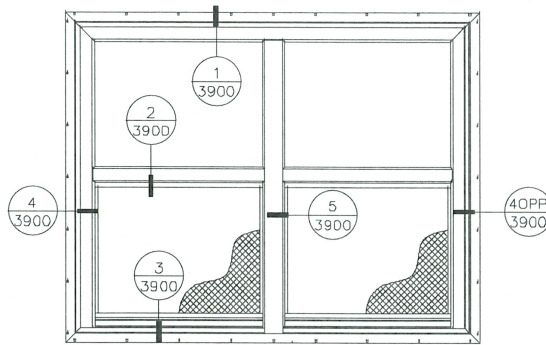
Options

- Low-E and Argon filled glass units available
- Passthru/Drywall Window
- Extension Jambs 4 $\frac{9}{16}$ - 6 $\frac{9}{16}$
- Vent Latch
- Sash limiter w/ custodial tilt latch
- Window opening control device
- AAMA 450 certified Aluminum Structural mullion
- STC, OITC sound rated

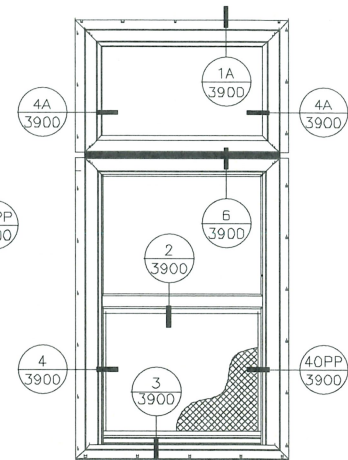
New Construction / Replacement
Welded Vinyl Single Hung 3900 Series



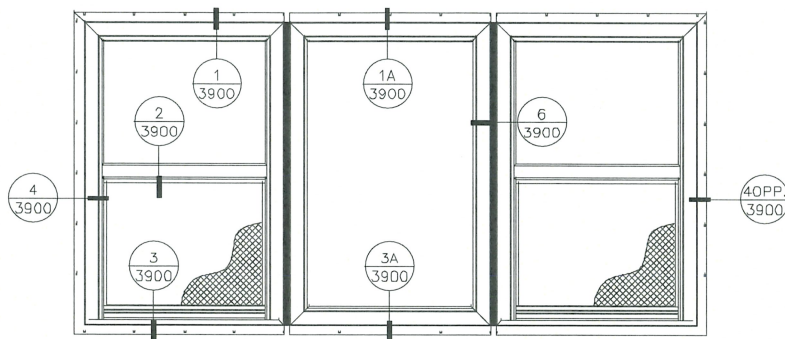
Series
3900SH



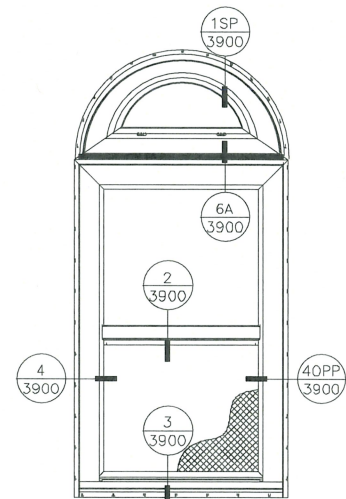
Series
3900-2 SH



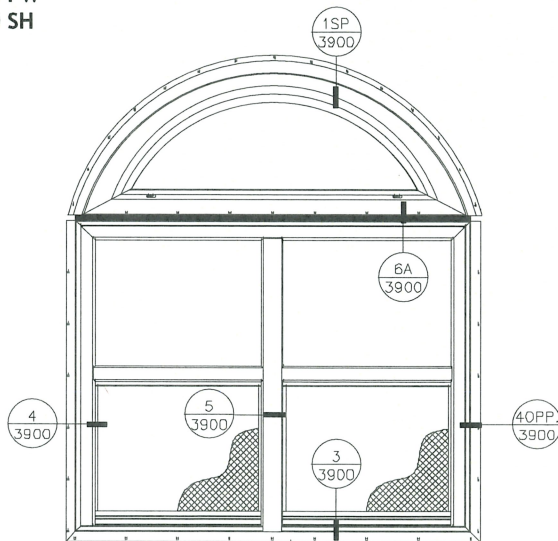
Series
3900 PW
3900 SH



Series
3900 SH
3900 PW
3900 SH

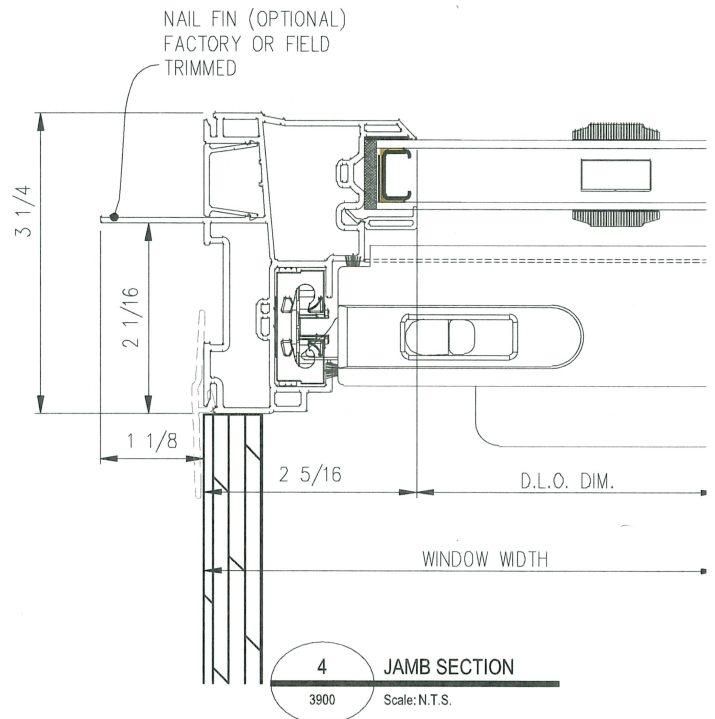
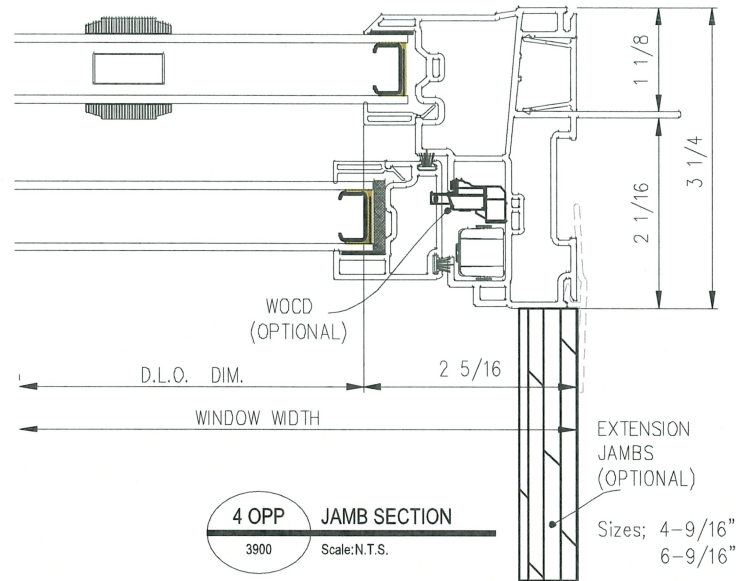
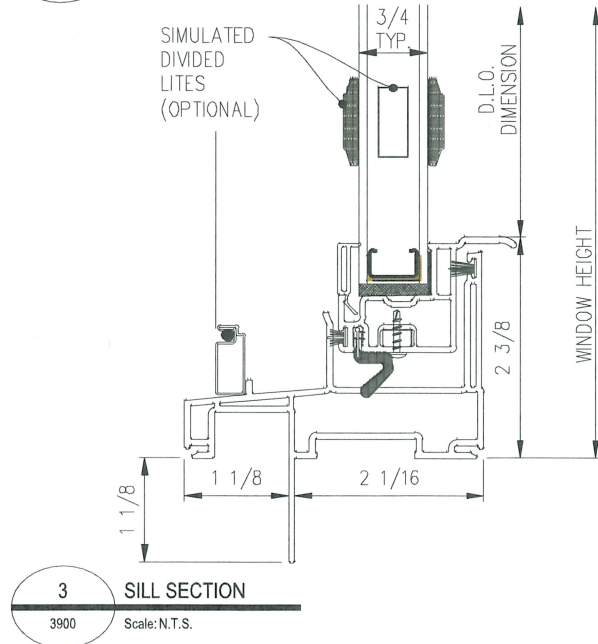
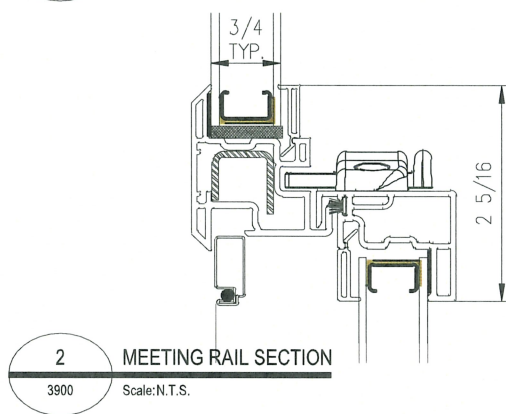
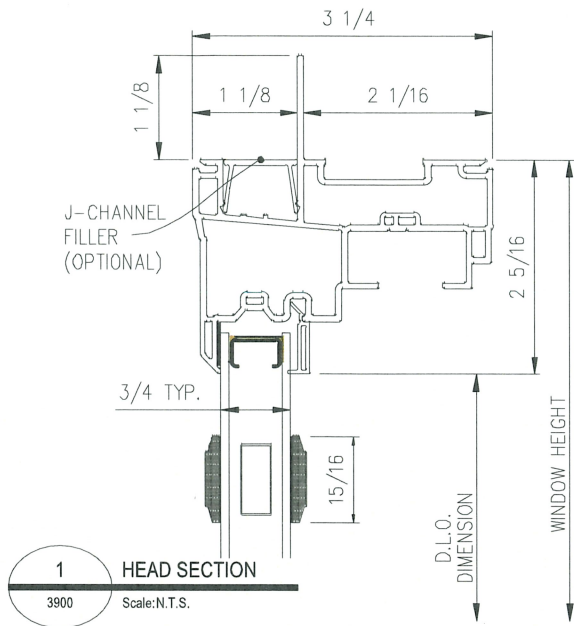


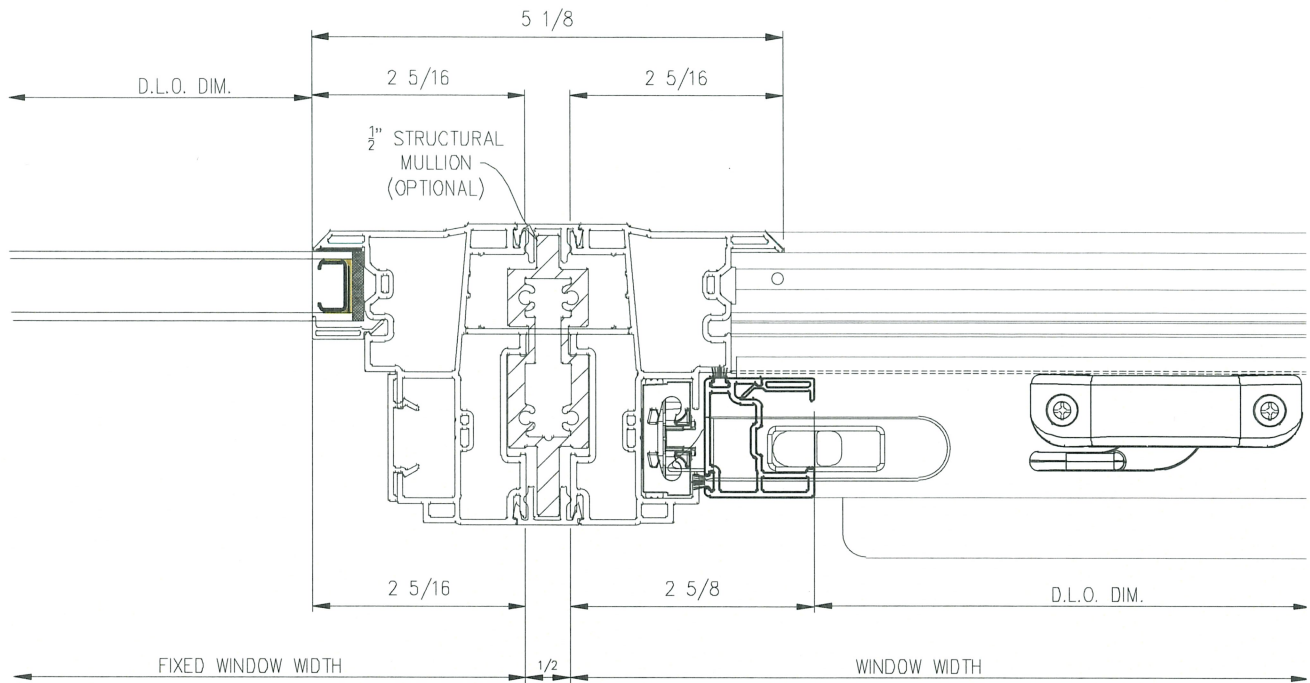
Series
3900 CT
3900 SH



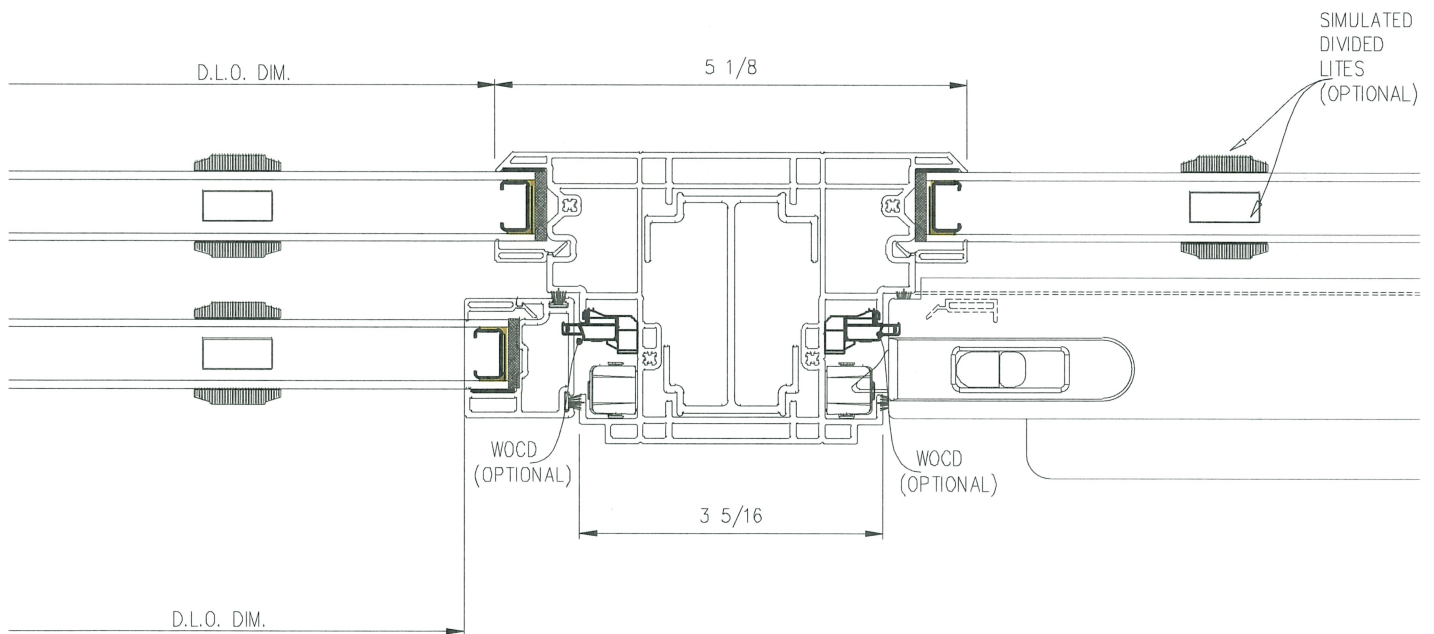
Series
3900 CT
3900-2 SH

New Construction / Replacement
Welded Vinyl Single Hung 3900 Series

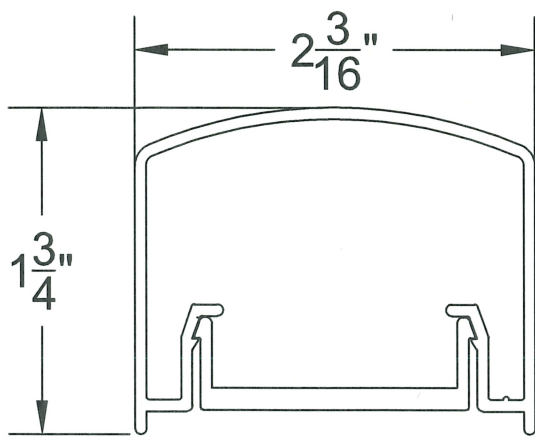




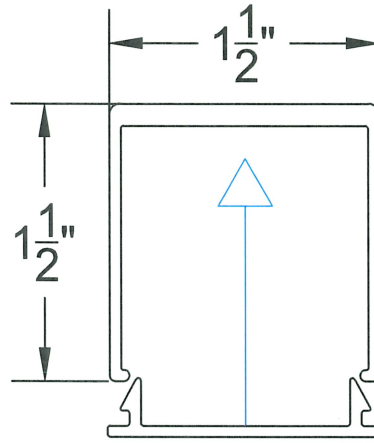
6 MULLION V-SECTION
3900 Scale: N.T.S.



5 COMMON-JAMB SECTION
3900-2 SH Scale: N.T.S.

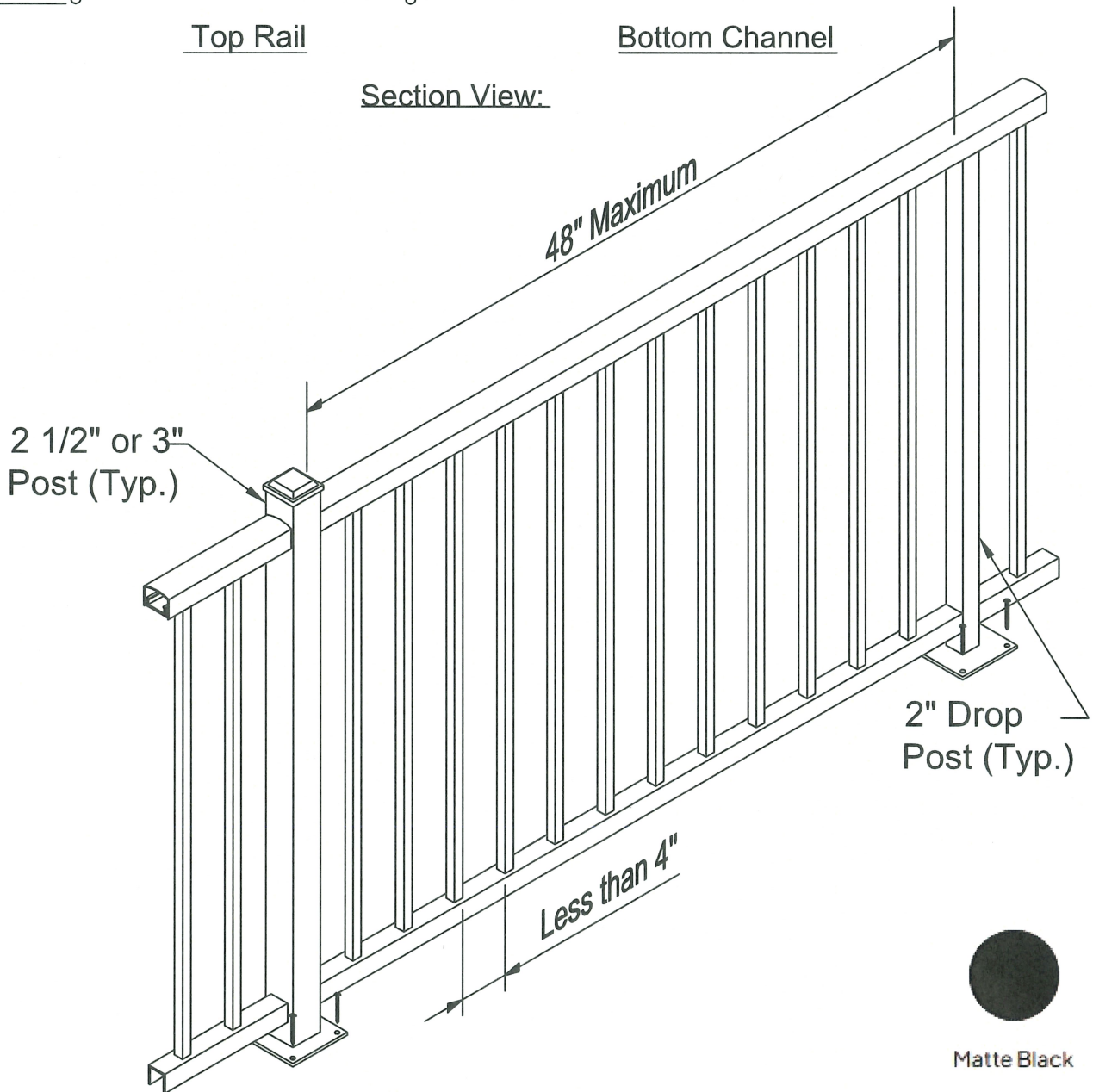


Top Rail



Bottom Channel

Section View:

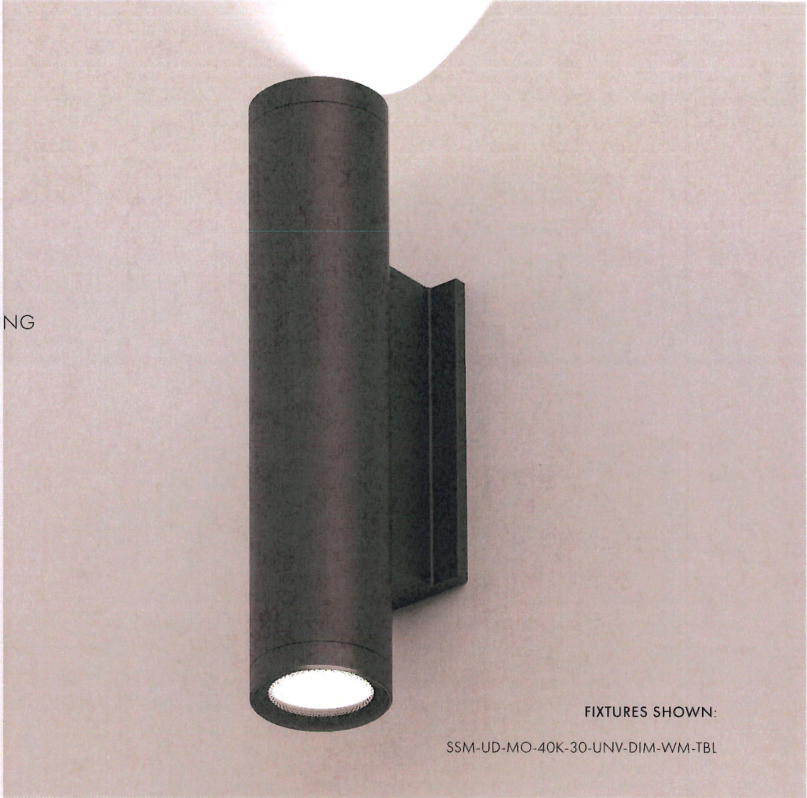


Matte Black

PROJECT: _____ TYPE: _____ CATALOG #: SSM - - - - - WM - - - - -

PROFILE

WATTAGE	LO (10.0W), MO (20.0W)
OPTICS	20°, 30°, 55°, ASYMMETRIC
CCT	2700K, 3000K , 3500K, 4000K (82 CRI)
CRI	82+ CRI
PERFORMANCE	UP TO 12457 PEAK CANDELA (20.0W)
VOLTAGE	120V OR 277V
POWER	INTEGRATED POWER SUPPLY
DIMMING	0-10V (DIMS DOWN TO 1%), DMX DIMMING
DIMENSIONS	10.00" X 3.00" 16.00" X 3.00"
WEIGHT	4.0 LBS 5.2 LBS
HOUSING	EXTRUDED ALUMINUM HOUSING
LENS	TEMPERED GLASS
FINISH	HIGH DURABILITY POWDER COATING
WARRANTY	5-YEAR LIMITED
OPERATING TEMP	-30° C TO 50° C
LUMEN MAINTENANCE	84,000 HOURS
CERTIFICATION	ETL/cETL WET LOCATION, IP66, 3G



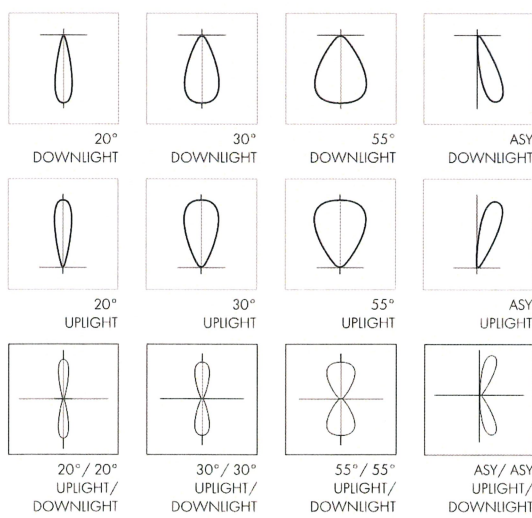
FIXTURES SHOWN:
SSM-UD-MO-40K-30-UNV-DIM-WM-TBL

STANDARD FINISHES

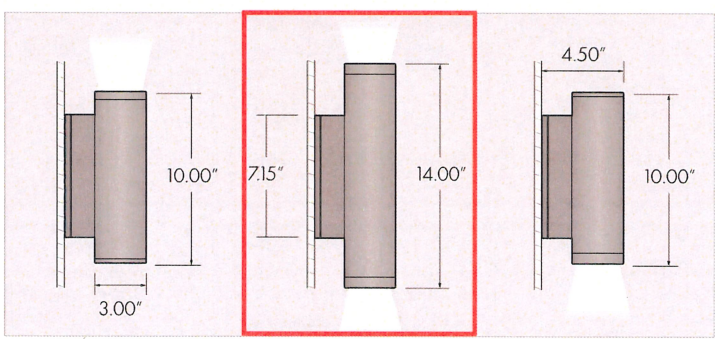


OPTICS

NOT ALL AVAILABLE OPTICS SHOWN



PROFILE



SUPER LUMIDECK FLAT SOFFIT

TECHNICAL DATA

All-extruded Aluminum (T6 - 6063)

Fascia .125"

Decking .078"

Deflection rating L/180

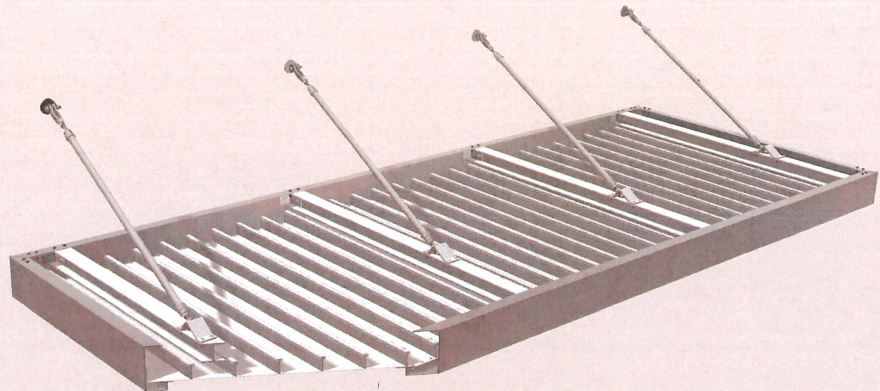
Maximum Projection*

8' w/ hanger rod supports

5' w/ cantilever supports

Note: Engineered stamped calcs available in all 50 states

*Maximum projection may vary based on load conditions



CANOPY DETAILS

Finishes		Warranty		Application
Mapes Standard Finishes	Clear Anodized, White Baked Enamel, & Bronze Baked Enamel	1 year	Meets AAMA 2603 specifications	Factory applied
2-Coat Kynar*	25 stock colors w/ unlimited custom matching options	10 years	70% Fluoropolymer meets AAMA 2605 specifications	Professionally applied & cured by certified finisher

*Additional lead times and costs associated w/ premium paints & custom color matching

FEATURES

- Flat Soffit Decking
- High-load capacity
- Pre-engineered
- All-extruded Aluminum
- Rust & maintenance free
- Custom details & colors
- Pre-assembly options

APPLICATIONS

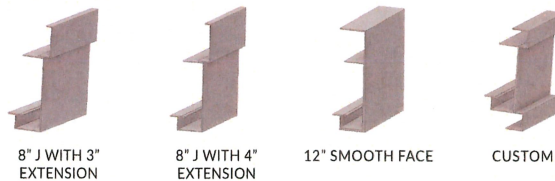
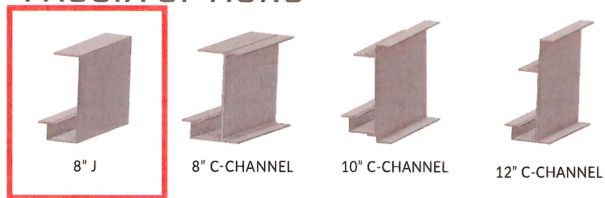
- Retail Branding
- Shopping Centers
- Storefronts
- Office Buildings

DECK OPTIONS

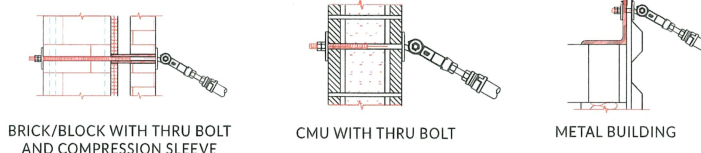


FLAT SOFFIT

FASCIA OPTIONS

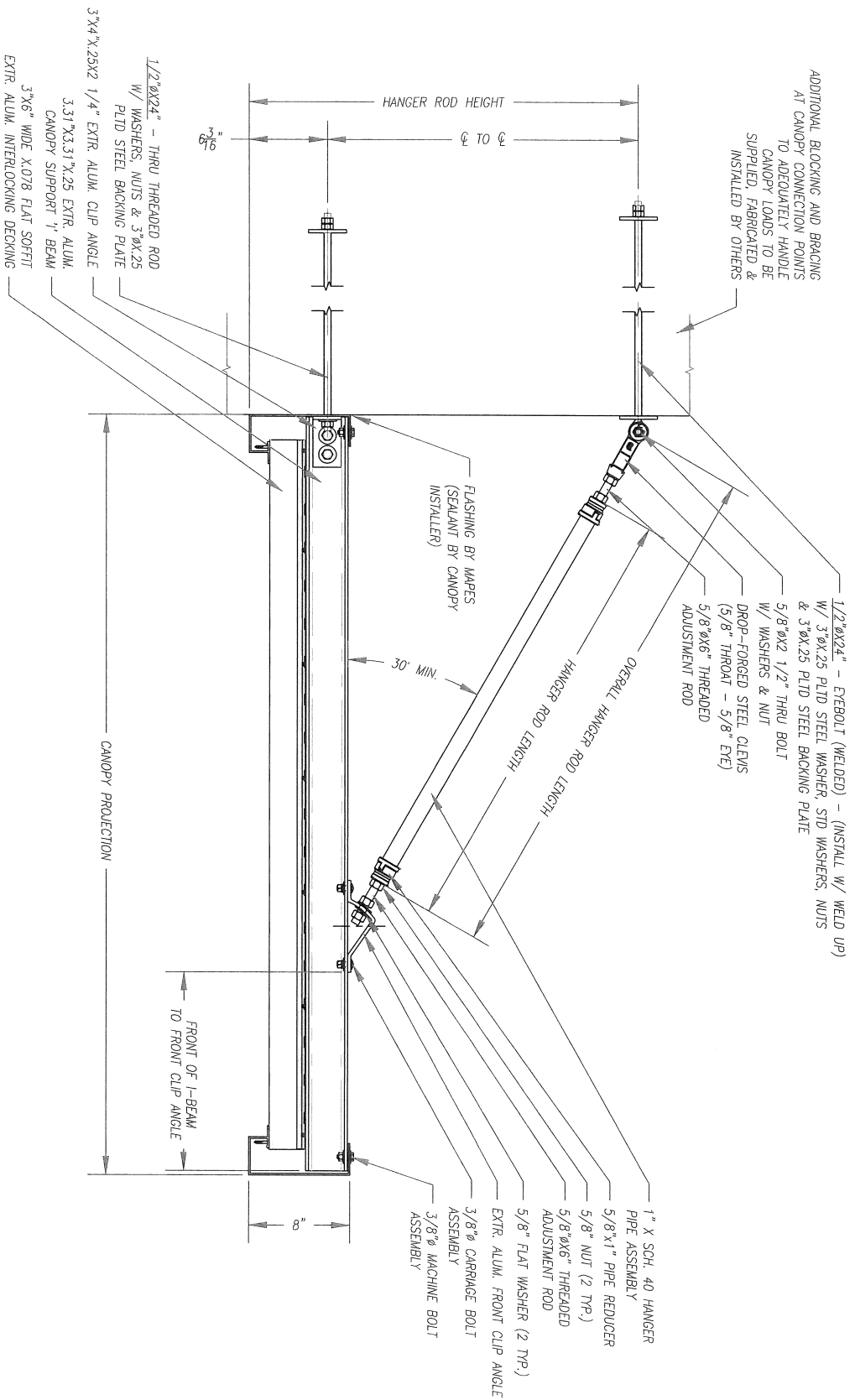


WALL MOUNT DETAILS



MAPES ARCHITECTURAL CANOPIES

7748 North 56th Street, Lincoln, NE 68514 Phone: 888-273-1132 Fax: 877-455-6572 mapes.com



AA SECTION @ HANGER ROD
 Scale: 1/2" = 1'-0"

Canopy Type:		Architect:		Drawn: 12/3/2019	
Mapes Architectural Canopies					
7748 N. 56th St. Lincoln, NE. 68514-9724 Ph: (888) 273-1132 Fx: (877) 453-6572 email: cad@mapes.com					
Proposed for: MAPES CANOPIES () LINCOLN, NE					
Job Name: SUPER LUMBER HANGER ROD CANOPY / FLAT SOFTT (PERP)					
Pk # dia 1 1/2"	Rep:	M####	sheet:	04	of 6