



 Design   Manufacture   Install SINCE 1972 A Limited Liability Company	1050 Main Street Pennsburg, PA 18073 phone: 215.679.5066 fax: 215.679.6616 web: reedsign.com	Client: The Taylor Address: 311 E. 3rd Street Location: Bethlehem, PA Project: Exterior Projecting Flag Sign
	Drawing: <b>21241</b> Scale: as shown	Date/Revision 03/05/24 03/11/24 03/15/24
This is an original unpublished design created by REED SIGN COMPANY. It is submitted for the use of our customer and the project named in this block. This drawing is not to be reproduced, copied or exhibited in any fashion without written consent of Reed Sign Company. © 2023		



3'-6" wide x 20'-0" high  
Double Sided Blade Sign



**A** SOUTH ELEVATION - THIRD STREET  
Scale: 1/16" = 1'-0"



3'-6" wide x 20'-0" high  
Double Sided Blade Sign

**C** WEST ELEVATION - TAYLOR STREET  
Scale: 1/16" = 1'-0"



1050 Main Street  
Pennsburg, PA 18073  
phone: 215.679.5066  
fax: 215.679.6616  
web: reedsign.com

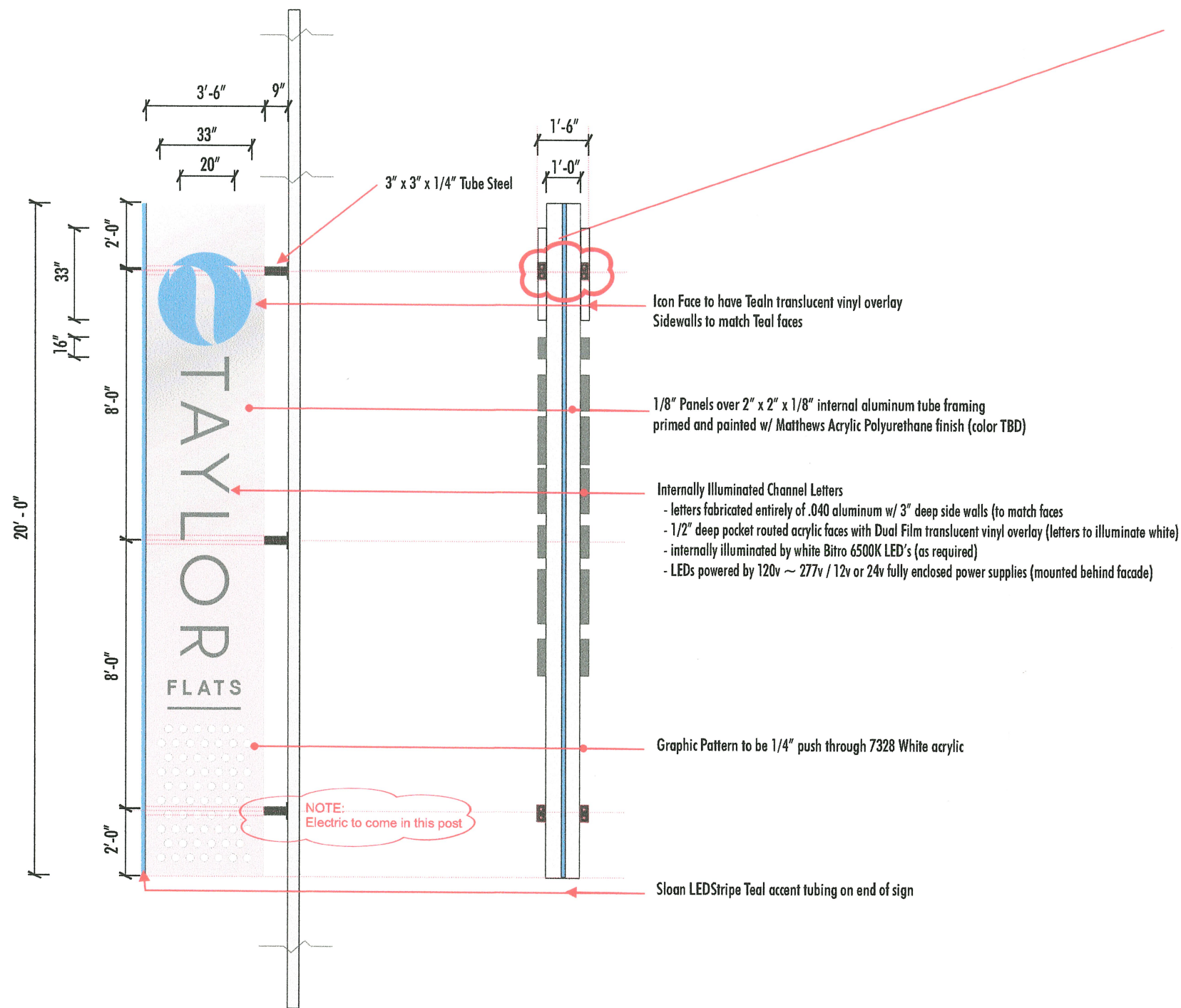
Client: The Taylor  
Address: 311 E. 3rd Street  
Location: Bethlehem, PA  
Project: Exterior Projecting Flag Sign

Drawing: 21241	Scale: as shown	Date/Revision
		03/05/24
		03/11/24
		03/15/24

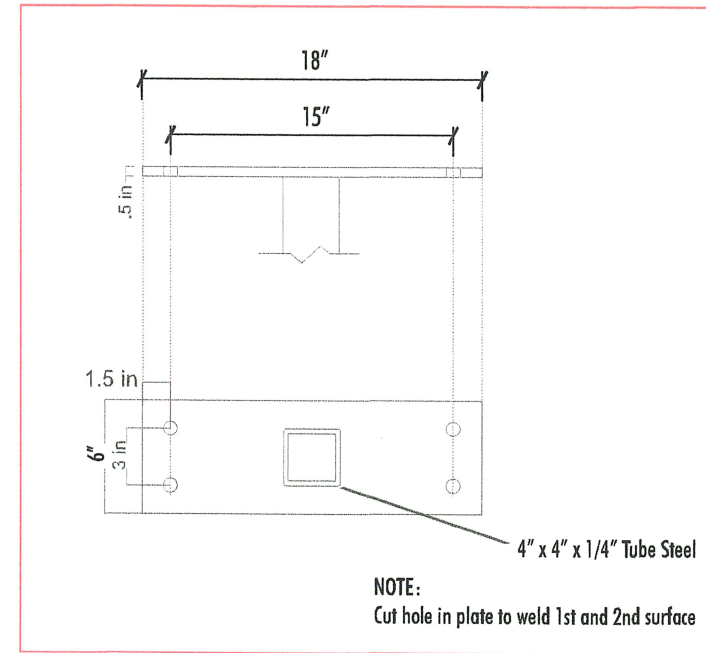


This is an original unpublished design created by REED SIGN COMPANY. It is submitted for the use of our customer and the project named in this block. This drawing is not to be reproduced, copied or exhibited in any fashion without written consent of Reed Sign Company. © 2023

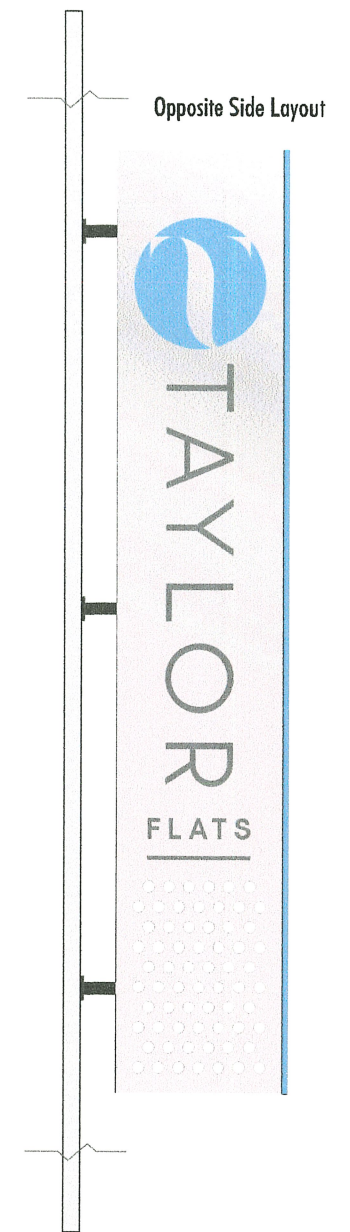
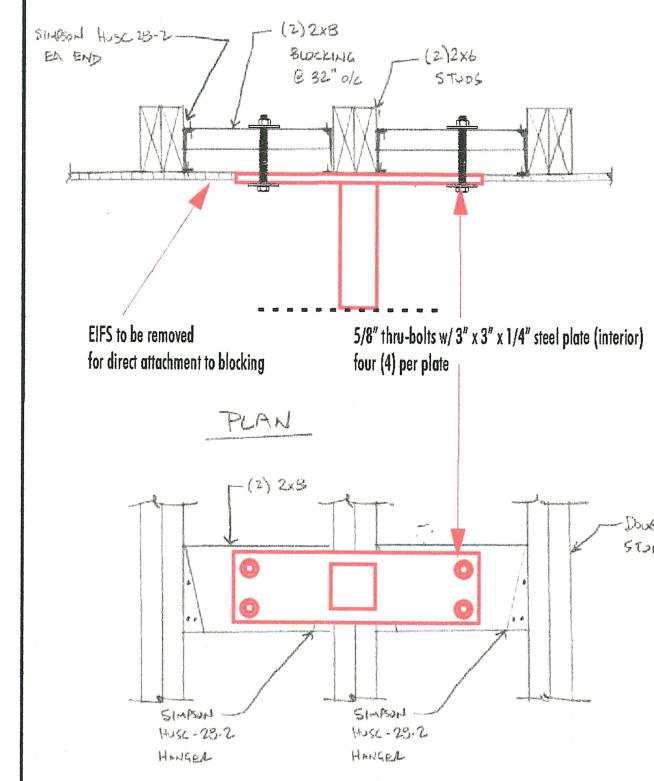




MOUNTING PLATE



Wall Blocking and Attachment at Sign



**REED**  
SIGN COMPANY

Design | Manufacture | Install  
SINCE 1972  
A Limited Liability Company

1050 Main Street  
Pennsburg, PA 18073  
phone: 215.679.5066  
fax: 215.679.6616  
web: reedsign.com

Client: The Taylor  
Address: 311 E. 3rd Street  
Location: Bethlehem, PA  
Project: Exterior Projecting Flag Sign

Drawing: 21241 Scale: as shown

Date/Revision

03/05/24  
03/11/24  
03/15/24



This is an original unpublished design created by REED SIGN COMPANY. It is submitted for the use of our customer and the project named in this block. This drawing is not to be reproduced, copied or exhibited in any fashion without written consent of Reed Sign Company. © 2023



3'-6" wide x 20'-0" high  
Double Sided Blade Sign



**A** SOUTH ELEVATION - THIRD STREET  
Scale: 1/16" = 1'-0"

Conceptual Nighttime View of Proposed Sign



**C** WEST ELEVATION - TAYLOR STREET  
Scale: 1/16" = 1'-0"

 <b>REED</b> SIGN COMPANY Design   Manufacture   Install SINCE 1972 A Limited Liability Company	1050 Main Street Pennsburg, PA 18073 phone: 215.679.5066 fax: 215.679.6616 web: reedsign.com	Client: The Taylor Address: 311 E. 3rd Street Location: Bethlehem, PA Project: Exterior Projecting Flag Sign	
	 Underwriters Laboratories Inc.	Drawing: <b>21241</b> Scale: as shown	Date/Revision 21246 03/05/24 03/11/24 03/15/24

This is an original unpublished design created by REED SIGN COMPANY. It is submitted for the use of our customer and the project named in this block. This drawing is not to be reproduced, copied or exhibited in any fashion without written consent of Reed Sign Company.