

TYPICAL ELEVATION

DESIGNER CONSIGNER BOUTIQUE

SIGN DRAWING FOR:
77 WEST BROAD STREET -UNIT 19
BETHLEHEM, PA. 18018

SCHOONOVER & VANDERHOOF, ARCHITECTS, LLC.
39 NORTH COURTLAND STREET, P.O. BOX 382
EAST STROUDSBURG, PA. 18301

PROJECT # 22.01.01
JANUARY 10, 2022

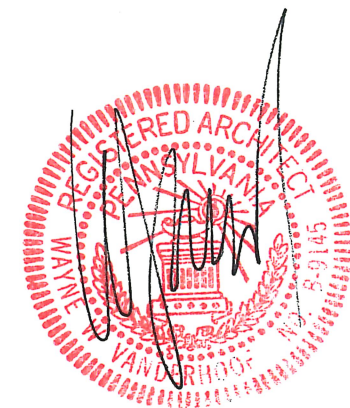
SCALE: 1" = 1'-0"



GENERAL NOTES:

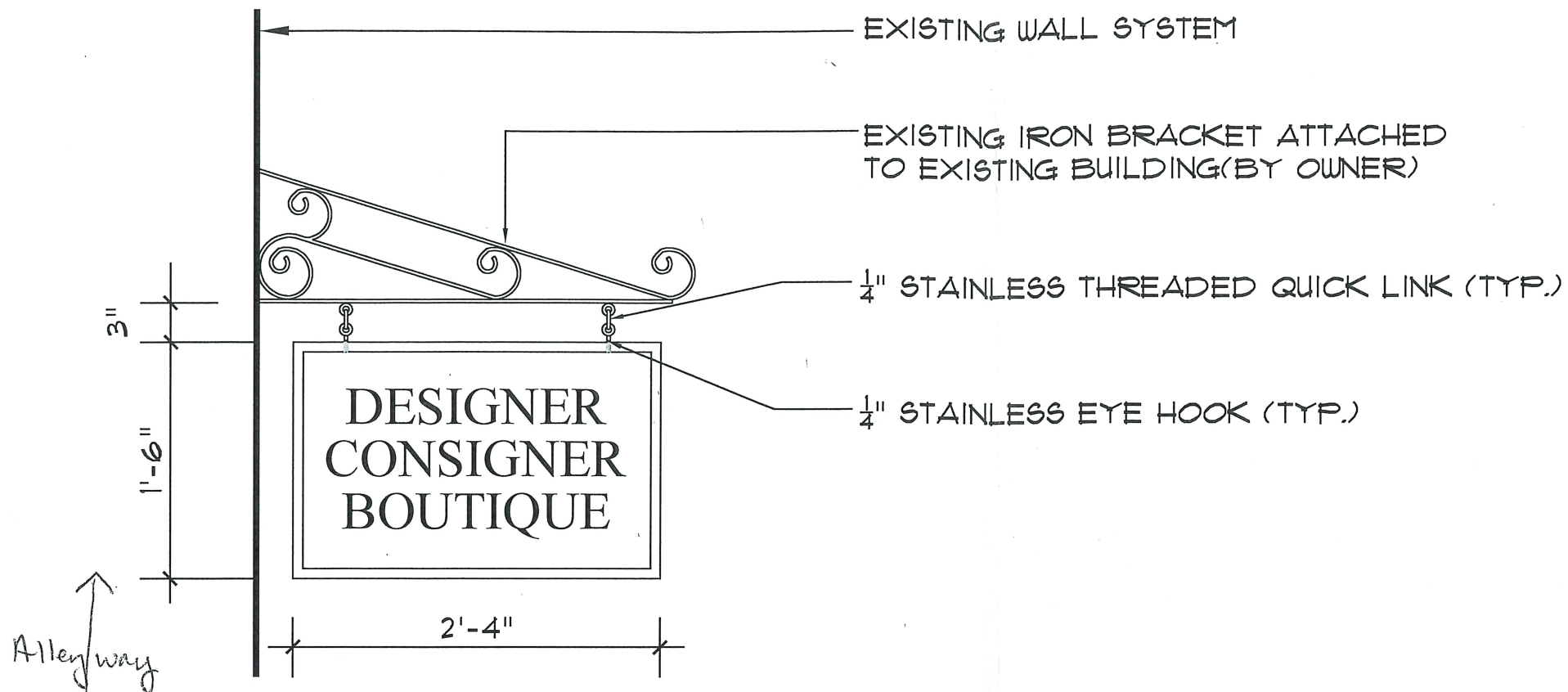
A. DESIGN CRITERIA:

1. **SNOW LOADS:**
GROUND SNOW LOAD - Pg 40 P.S.F.
2. **WIND LOADS:**
BASIC WIND SPEED
(3 SECOND GUST): 115 MPH.



(201) 961

sidewalk Broad st



TYPICAL ELEVATION

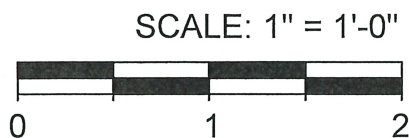
Alleyway
 10' to sidewalk from bottom of sign

DESIGNER CONSIGNER BOUTIQUE

SIGN DRAWING FOR:
 77 WEST BROAD STREET -UNIT 19
 BETHLEHEM, PA. 18018

SCHOONOVER & VANDERHOOF, ARCHITECTS, LLC.
 39 NORTH COURTLAND STREET, P.O. BOX 382
 EAST STROUDSBURG, PA. 18301

PROJECT # 22.01.01
 JANUARY 10, 2022



GENERAL NOTES:

A. DESIGN CRITERIA:

- SNOW LOADS:**
 GROUND SNOW LOAD - Pg 40 P.S.F.
- WIND LOADS:**
 BASIC WIND SPEED
 (3 SECOND GUST): 115 MPH.

