

SITE / CIVIL ENGINEER
NA

LANDSCAPE ARCHITECT
NA

STRUCTURAL ENGINEER
NA

MECHANICAL ELECTRICAL PLUMBING
NA

FIRE PROTECTION ENGINEER
NA

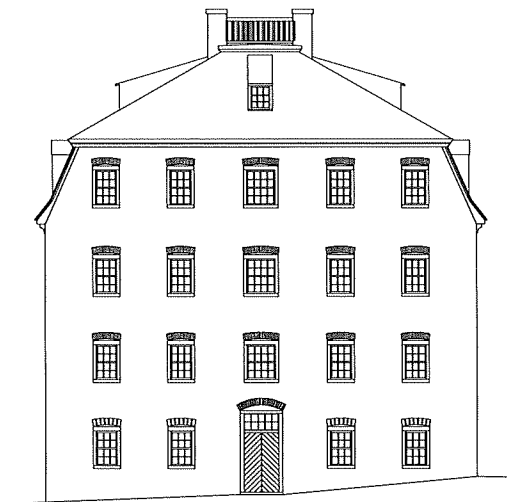
TELECOM ENGINEER
NA

AUDIO VISUAL ENGINEER
NA

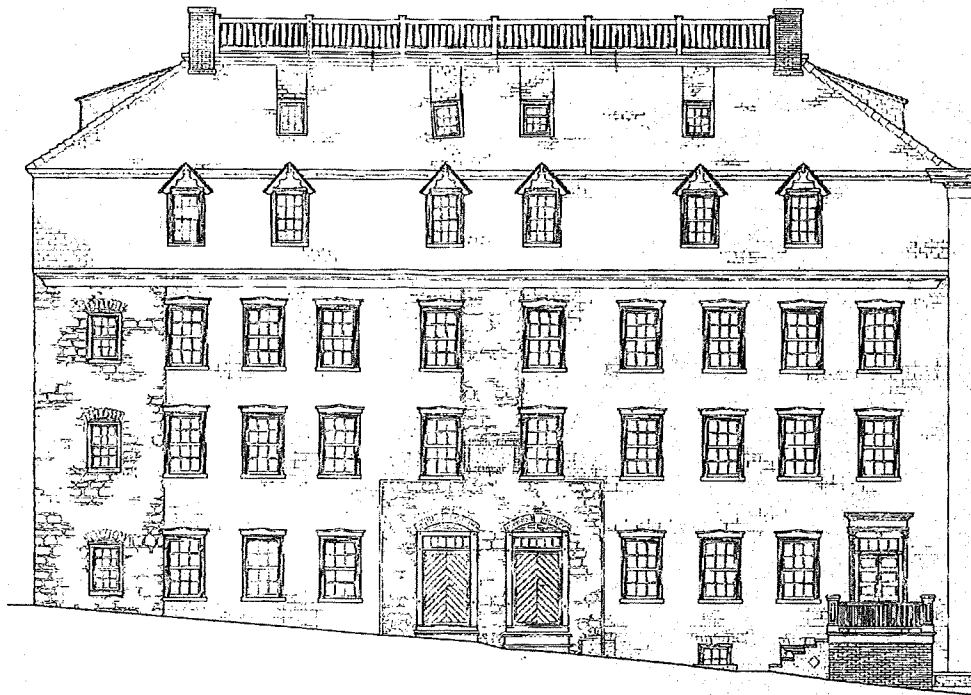
SECURITY ENGINEER
NA

ACOUSTICAL ENGINEER
NA

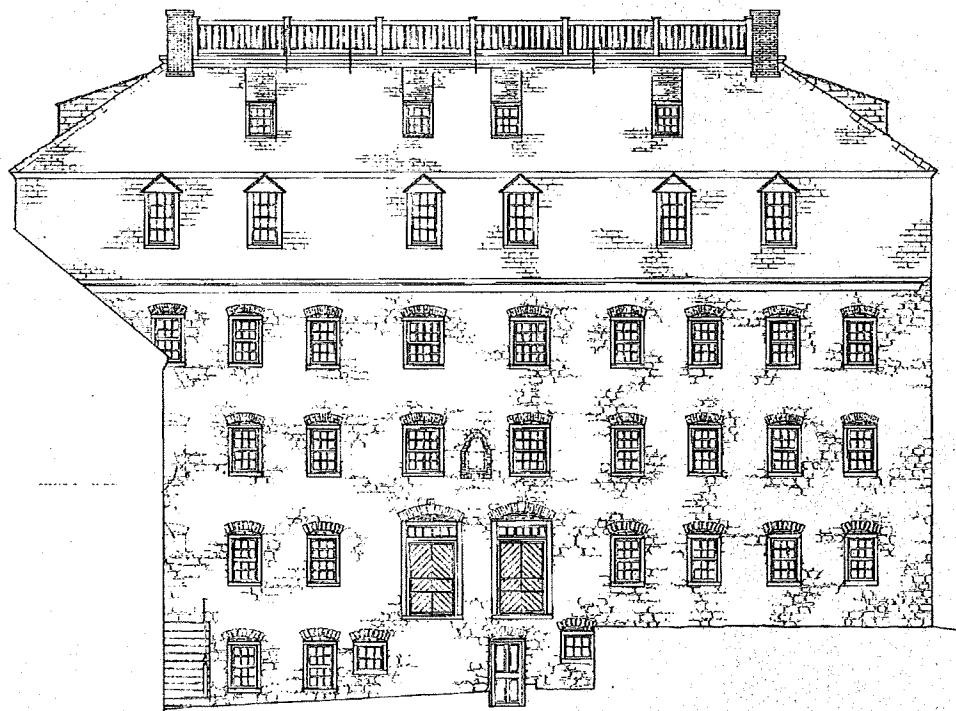
A SCALE 3/8" = 1'-0"
B SCALE 1/72" = 1'-0"
C SCALE 1" = 1'-0"
D SCALE 3/4" = 1'-0"
E SCALE 1/72" = 1'-0"
F SCALE 3/8" = 1'-0"
G SCALE 1/4" = 1'-0"
H SCALE 1/8" = 1'-0"
I SCALE 3/32" = 1'-0"
J SCALE 1/16" = 1'-0"



1 EAST ELEVATION - EXISTING
SCALE: 1/8" = 1'-0"



2 NORTH ELEVATION - EXISTING
SCALE: 1/16" = 1'-0"



3 SOUTH ELEVATION - EXISTING
SCALE: 1/16" = 1'-0"

DRAWING HISTORY	
NO.	ISSUE DATE / DESCRIPTION
01/13/2020	ISSUED FOR BID

CURRENT ISSUE
ISSUED FOR REVIEW

11-17-2021

COPYRIGHT 2019 SFA
REGISTRATION

MORAVIAN COLLEGE

1200 MAIN ST. BETHLEHEM, PA

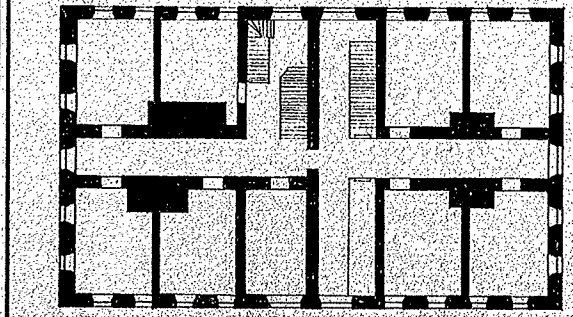
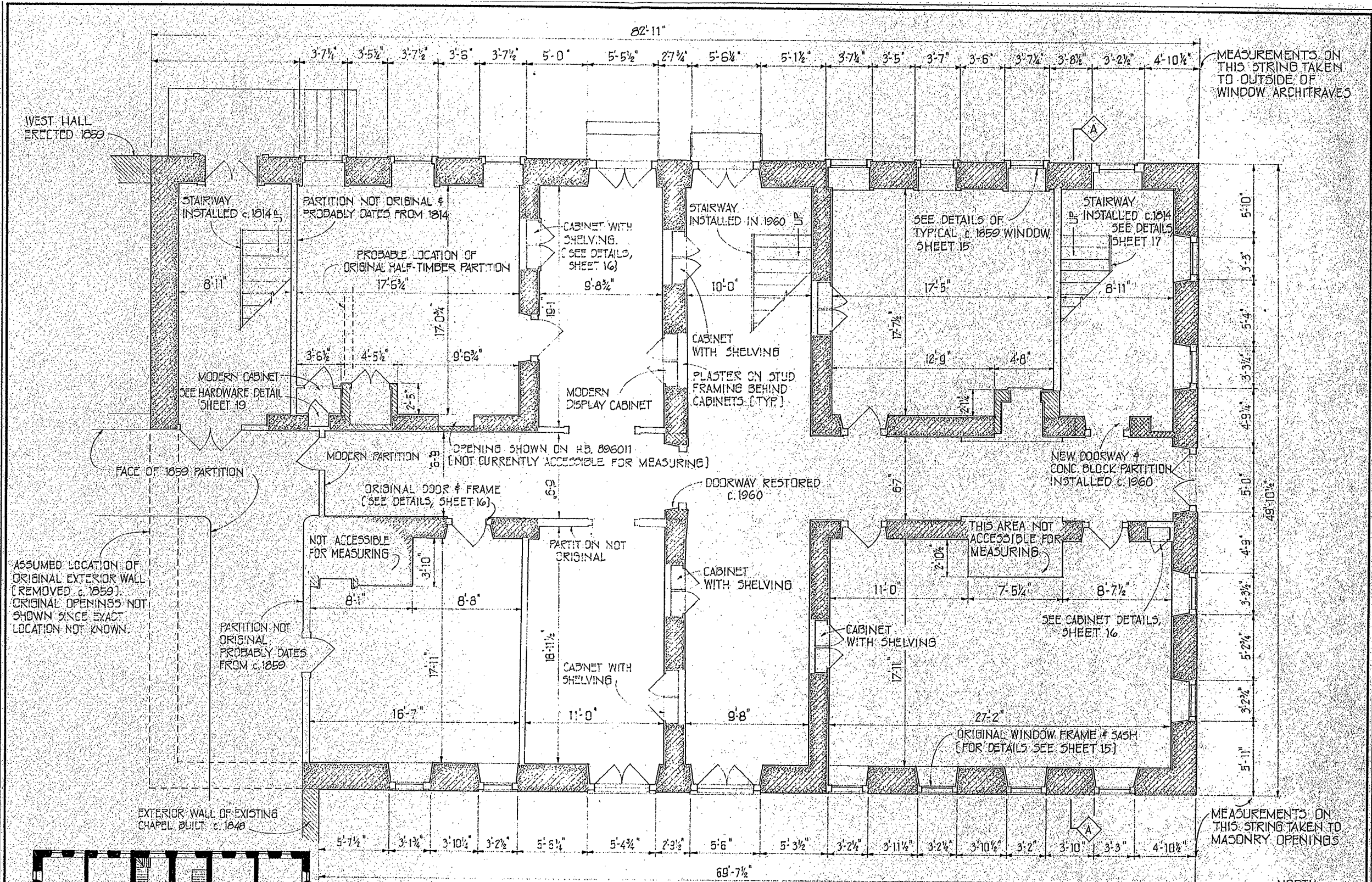
TYPE IN CLIENT PROJ # OR LEAVE BLANK
BRETHREN'S HOUSE
WINDOW REPLACEMENT
89 W. CHURCH ST.
BETHLEHEM, PA 18018

EXTERIOR ELEVATIONS

FULL SHEET SIZE: 30" x 42"
PROJECT NUMBER: 8054.21

SHEET NUMBER

A2.00



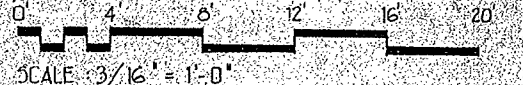
PROBABLE ORIGINAL SECOND FLOOR PLAN BASED ON UNDATED INK WASH DRAWING ON PARCHMENT TITLED "SINGLE BRETHREN'S HOUSE IN BETHLEHEM", (SHOWING 2nd, 3rd, & 4th FLOOR PLANS ONLY) IN THE POSSESSION OF THE ANNIE S. KEMERER MUSEUM, BETHLEHEM, PENNA. (CAT. NO. 57-1-59) THIS SET OF PLANS IS THOUGHT TO BE THE ONE FINALLY ADOPTED FOR THE CONSTRUCTION OF THE BUILDING.

SECOND FLOOR PLAN

3/16" = 1'-0"
 SEE SHEET 13 FOR FRAMING PLAN OF SECOND FLOOR.
 FOR INFORMATION ON 1960 ALTERATIONS, SEE HISTORIC BETHLEHEM INC. DRAWING HB 896011.

GENERAL NOTES

THE ORIGINAL FLOORING IS MISSING. THE PRESENT FLOORS ARE COVERED WITH CARPET THROUGHOUT. ALL WALL AND CEILING SURFACES ARE PLASTERED & PAINTED WHITE.
 NO ATTEMPT HAS BEEN MADE ON THESE DRAWINGS TO INTERPRET THE ORIGINAL FIREPLACE, FLUE, OR TILE STOVE COMPLEXES, WHICH HAVE ALL BEEN ALTERED.



DRAWN BY: WILLIAM A. OKAZAKI, JULY, 1968

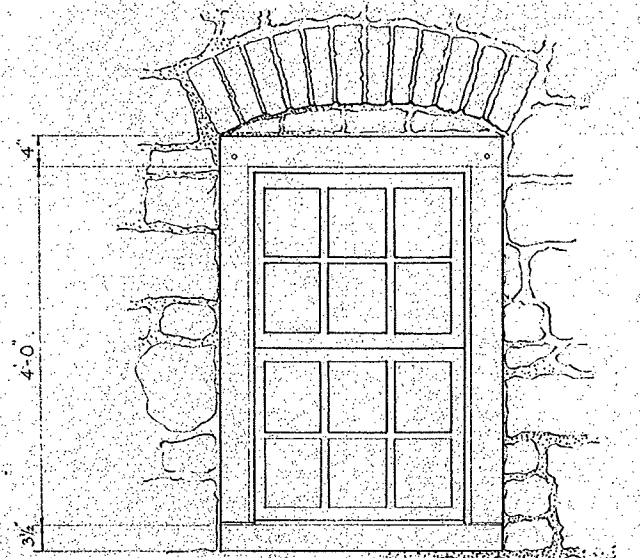
BETHLEHEM PROJECT
 OFFICE OF ARCHAEOLOGY AND HISTORIC PRESERVATION
 UNDER DIRECTION OF THE NATIONAL PARK SERVICE
 UNITED STATES DEPARTMENT OF THE INTERIOR

NAME AND LOCATION OF STRUCTURE
SINGLE BRETHREN'S HOUSE
 89 WEST CHURCH ST. BETHLEHEM, NORTHAMPTON COUNTY, PENNSYLVANIA

SURVEY NO.
 PENNA. 1141

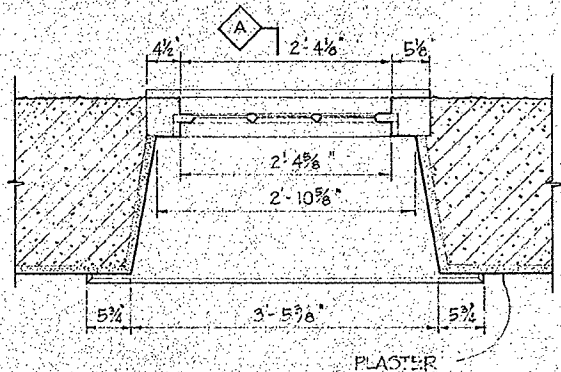
HISTORIC AMERICAN BUILDINGS SURVEY
 SHEET 3 OF 21 SHEETS

LIBRARY OF CONGRESS
 INDEX NUMBER

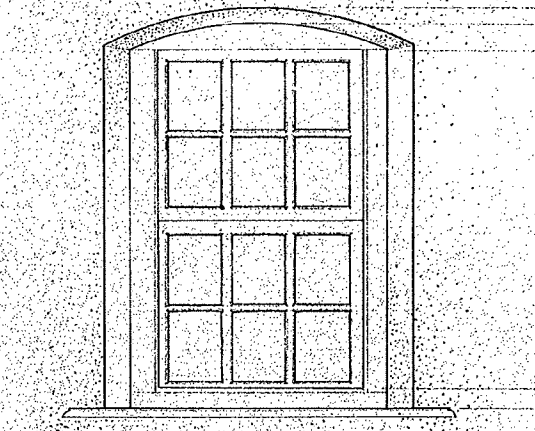


ORIGINAL WINDOW - EXTERIOR ELEVATION

ORIGINAL WINDOW OPENING
 DETAILS TAKEN FROM THE SOUTH ELEVATION, SECOND FLOOR, THIRD WINDOW FROM THE EAST END. THIS FRAME AND SASH APPEAR TO BE ORIGINAL WITH THE EXCEPTION OF MINOR REPAIRS. THE INTERIOR SILL IS NOT ORIGINAL.



ORIGINAL WINDOW - PLAN

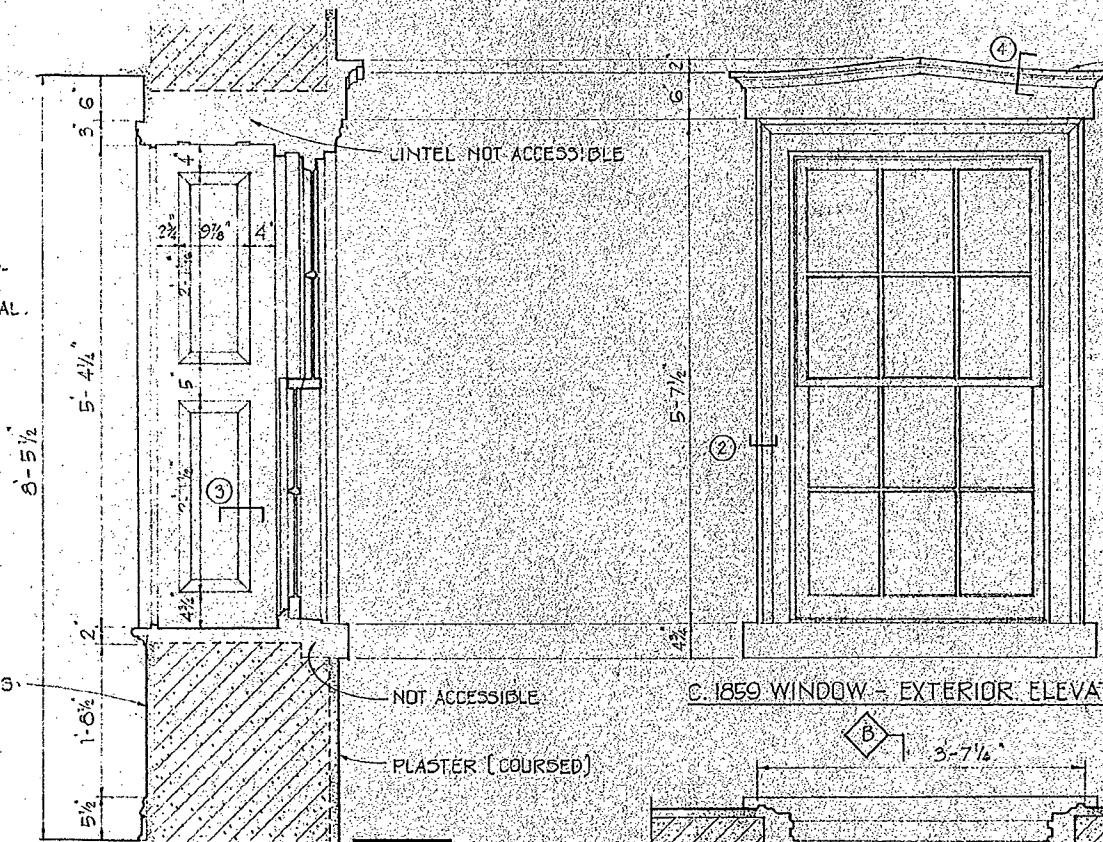


ORIGINAL WINDOW - INTERIOR ELEVATION

SECTION A

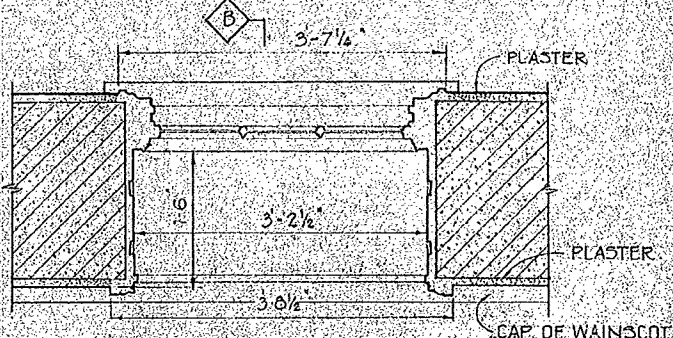


ORIGINAL WINDOW MUNTIN
 FULL SCALE



C. 1859 WINDOW - EXTERIOR ELEVATION

NOTE: PEDIMENT MOLDINGS HAVE BEEN KERFED IN SEVERAL PLACES TO ALLOW CURVE TO BE FORMED OUT OF STRAIGHT STOCK.



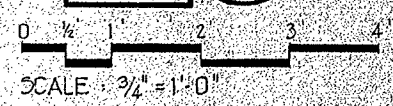
C. 1859 WINDOW - PLAN

SECTION B

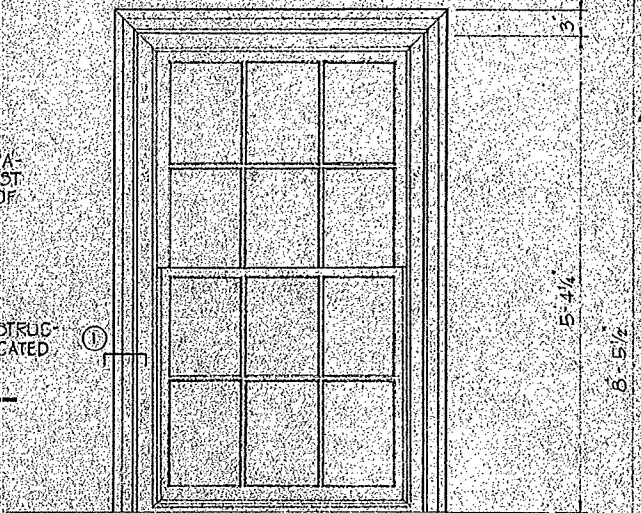
C. 1859 WINDOW ARCHITRAVE MOLDING

C. 1859 WINDOW OPENING
 DETAILS TAKEN FROM THE NORTH ELEVATION, SECOND FLOOR, SECOND WINDOW FROM THE EAST END. THESE WINDOWS REPRESENT THE SECOND ALTERATION OF THE ORIGINAL WINDOW OPENINGS AND WERE APPARENTLY INSTALLED CONTEMPORANEOUSLY WITH THE ERECTION OF WEST HALL (ADJACENT TO THE WEST END OF THE BROTHEREN'S HOUSE) IN 1859.

THE FRAMES AND SILL COULD NOT BE DISMANTLED TO DETERMINE THE CONSTRUCTION. ONLY THEIR PROFILES ARE INDICATED OR SHOWN HERE.



C. 1859 WINDOW INTERIOR ARCHITRAVE MOLDING



C. 1859 WINDOW - INTERIOR ELEVATION

DRAWN BY: WILLIAM A. OKAZAKI JULY, 1968

BETHLEHEM PROJECT
 OFFICE OF ARCHEOLOGY AND HISTORIC PRESERVATION
 UNDER DIRECTION OF THE NATIONAL PARK SERVICE
 UNITED STATES DEPARTMENT OF THE INTERIOR

89 WEST CHURCH STREET

NAME AND LOCATION OF STRUCTURE
 SINGLE BROTHEREN'S HOUSE
 BETHLEHEM NORTHAMPTON COUNTY PENNSYLVANIA

SURVEY NO.
 PENNA.
 1741

HISTORIC AMERICAN BUILDINGS SURVEY
 SHEET 15 OF 21 SHEETS

UNIVERSITY OF PENNSYLVANIA
 INDIANAPOLIS