

**Above Ground
Pool Installation Guide**





1 - INSTALLING YOUR ABOVEGROUND POOL

The pool must be installed only on level, well-drained, firm (undug, non-filled) earth. We do not recommend backfilling or grading earth up against the pool wall or frame covering any part of them.

- Check local building codes for setback from house and property lines.
- Check regulations concerning fence height and position.
- Check above and below ground for existing gas, electric, telephone and water lines.

ERECTING A POOL ON BLACKTOP, TAR PAPER, ASPHALT, CONCRETE, GRAVEL, OR ANY SOIL CONTAINING SHARP OBJECTS WILL INVALIDATE LINER WARRANTY.

- Sod should be removed to prevent irregular bottom and any unpleasant odor from decaying grass.
- Do not use any oil based weed killer on cleared ground as it could stain the liner. Use weed killer made specifically for swimming pool base applications.
- Material for bottom of pool should be fine and free of sharp objects.

RECOMMENDED MATERIALS:

- Fine (shell free) sand or vermiculite.

FOR HARD BOTTOM:

- 6 parts of either material can be mixed with 1 part cement; applied dampened 2" (5 cm) thick, smoothed and packed with a trowel - Cove 4" (10cm) up wall around pool.

If NUTGRASS is prevalent in your area (ie. Southern USA) use special chemicals which kill nutgrass in pool areas. Consult your local hardware or lawn care company.

NOTE: pH and chlorine balance must be maintained at normal levels. Excessive pH change or chlorine load will result in liner fading, turning brittle and either fading or puckering - This is not covered under the manufacturer's warranty.

WINTERIZE your pool by reducing the amount of water in the pool to 1/2, adjust pH and chlorine to proper levels and cover.

NOTE: Water must be left in the pool at ALL times. Removal of the water from the pool will result in liner shrinkage which is NOT covered by the manufacturer's warranty.

2.

STEPS TO INSTALLING YOUR ROUND POOL (following numbers on installation sheet)

- 6 Tools required.
- 7 - 14 Layout, ground preparation and ground levelling (in areas prone to nutgrass (Southern U.S.) sterilize soil with approved chemical).
- 15 Check and layout parts.
- 16 - 20 Mark out and level area for posts (on patio blocks) and tracks.
- 21 - 23 Assemble connectors / collar combo and tracks approximately 1/2" (1 cm) gap.
- 24 - 29 Add floor sand and uncoil wall into track starting midway on a connector (#25 - #27) - securing with pegs and string (or have 5 - 6 people hold wall). Once unwound, adjust tracks at connectors to make wall bolt holes line up. Secure wall with hardware using every hole and secure very tightly with wrench (screw head on water side of wall). Tape over screw heads using duct tape.
- 30 - 31 Layout posts and install on bottom connector / collar combo while securing top of post to wall with tape.
- 32 - 35 Spread, smooth and compact sand on floor with 6" (15 cm) cove against wall.
- 36 - 41 Spread out liner in the sun, refold and place in pool overlapping the liner wall over the steel wall and securing with inner combing. Remove wrinkles and make final liner adjustments.
- 42 - 43 Install top tracks and top connectors (at each post). Overlap liner may be folded up under the ledge - do not cut.
- 44 - 47 Install top ledges and top caps.
- 48 - 52 Assemble skimmer / inlet, hoses and filter according to separate manufacturer's instructions.

- NOTES:**
- POOL MUST BE BUILT ON SOLID, LEVEL AND NON-FILLED AREA.
 - ENSURE WALL JOINT IS BEHIND A POST WITH THE SKIMMER AND INLET POSITIONED WHERE YOU WANT THE FILTER (#26).
 - ENSURE ALL WALL BOLTS ARE TIGHTENED SECURELY TO A MINIMUM TORQUE SPECIFICATION OF 5 FOOT POUNDS.
 - DO NOT ASSEMBLE WALL ON A WINDY DAY.

* THIS INSTALLATION IS FOR AN OVERLAP LINER. FOR OTHER LINER TYPES, CHECK LINER BOX FOR INSTRUCTIONS.

3. ABOVEGROUND POOL PARTS LIST*

COUNT YOUR PARTS BEFORE STARTING POOL.

	(')	8'	12'	15'	18'	21'	24'	27'	30'	33'
	(m)	2,40	3,70	4,60	5,50	6,40	7,30	8,20	9,10	10,00
(a) 7" (18 cm) Ledge #781008/#771008 23-7/8" (60,65 cm).....	12									
(a) 7" (18 cm) Ledge #781014/#771002 55-13/63" (140,23 cm) ..					12	14	16	18	20	22
(a) 7" (18 cm) Ledge #781005/#771005 46-27/32" (118,97 cm) ..				12						
(a) 7" (18 cm) Ledge #781006/#771006 45-3/16" (114,78 cm) ..	10									
(b) Upright Post #7720-48R4 / #7720-52R4	12	10	12	12	12	14	16	18	20	22
(c) Top Connector #7740	12	10	12	12	12	14	16	18	20	22
(p) Collar / Connector Combo #7FCCOMBO	12	10	12	12	12	14	16	18	20	22
(d) Cap #7774	12	10	12	12	12	14	16	18	20	22
(e) Top Track #6731-00	12	10	12	12	12	14	16	18	20	22
(q) Bottom Track #6101-00	12	10	12	12	12	14	16	18	20	22
(f) Inner Combing 56" (142,24 cm) #12020	5	8	10	10	12	14	16	18	20	22
(g) Self-Tapping Screw #12 x 1" (2,54 cm)	108	90	108	108	108	126	144	162	180	198
(m) Screw Buttons #9020CC	24	20	24	24	24	28	32	36	40	44
(h) Liner	1	1	1	1	1	1	1	1	1	1
(j) Steel Wall includes joiner screw (m)	1	1	1	1	1	1	1	1	1	1
Installation Sheet	1	1	1	1	1	1	1	1	1	1
Safety Stickers	2	2	2	2	2	2	2	2	2	2
Cap Extension #7776PER	12	10	12	12	12	14	16	18	20	22

Note: Top Track #6731-00 (e)

indicate proper radius by inserting code in place of -00-10-09-01-02-03-04-05-14-41

Note: Bottom Track #6101-00 (q)

indicate proper radius by inserting code in place of -00-32-38-39-22-23-24-25-26-41

4. ACTUAL SIZE

SIZE	DIAMETER	WALL LENGTH	PATIO BLOCKS 8" x 16" x 2" (20 cm x 40 cm x 5 cm)	MASON SAND
8'	7' 7 3/8" (2,32 m)	23' 11 1/4" (7,30 m)	10	3/4 cubic yard
12'	12' 1 1/4" (3,69 m)	38' 1 1/4" (11,59 m)	12	1 cubic yard
15'	15' 1 1/4" (4,58 m)	47' 2 5/8" (14,39 m)	12	1-1/4 cubic yards
18'	17' 10" (5,44 m)	56' (17,07 m)	14	1-1/2 cubic yards
21'	20' 11" (6,38 m)	65' 8" (20,02 m)	16	2 cubic yards
24'	23' 10 3/4" (7,28 m)	75' 1" (22,89 m)	18	2-1/2 cubic yards
27'	26' 10" (8,18 m)	84' 5 3/16" (25,74 m)	20	3 cubic yards
30'	29' 10 1/2" (9,11 m)	93' 10" (28,60 m)	22	3-1/2 cubic yards
33'	32' 10" (10,01m)	103' 1-3/4" (31,46 m)		

5. SAFETY CONSIDERATIONS

NO DIVING, NO JUMPING, SHALLOW WATER
DIVING MAY CAUSE DEATH, PARALYSIS OR PERMANENT INJURY

Jumping or diving into a pool or any aboveground pool is strictly forbidden.

CHILDREN MUST BE SUPERVISED AT ALL TIMES.

Post "DO NOT JUMP OR DIVE" signs around the pool where they are visible to all pool users.

DO NOT allow anyone into the pool unless they are fully aware of the "DO NOT JUMP OR DIVE"

JUMPING OR DIVING into the pool **MAY CAUSE PERMANENT INJURY, PARALYSIS OR DEATH.**

NO DIVING - No diving equipment allowed. - No diving from deck level, top ledges or ladders.

- No diving from garages, trees, porches, etcetera.

NO JUMPING from deck level, top ledges, ladders, garages, trees, porches, etcetera.

NO SLIDING - No sliding equipment allowed.

DO NOT swim during thunder, electrical or wind storms. Closely supervise children at all times.

DO NOT allow running or horseplay around the pool.

Never swim when alone, under the influence of drugs or alcohol, tired or ill.

Keep deck clean and clear of objects that may create a tripping hazard.

DO NOT allow glass or sharp objects around the pool.

DO NOT allow climbing, sitting, standing or walking on the top ledges of the pool. Parents

should learn C.P.R. Keep all electrical radios, speakers, telephones and other electrical

appliances away from the swimming pool (electric shock can kill). All electrical outlets must

be a safe distance, 5 to 10 feet (2m - 3m), from the outside perimeter of the wall of the pool.

Consult local electrical authority for local regulations (Bylaws).

DO NOT use extension cords around the pool area and deck (electric shock can kill). Access

to the swimming pool must be secured and locked when pool is not in use to prevent

accidental drowning and unauthorized entry.

It is the responsibility of the owner of a pool (or any aboveground pool) not the manufacturer,

to ensure the safety of everyone using the pool. The owner is also responsible to provide

warnings (verbal and signage) to all users of the pool advising **NO DIVING OR JUMPING**

INTO AN ABOVEGROUND POOL.

ENFORCE ALL SAFETY RULES.

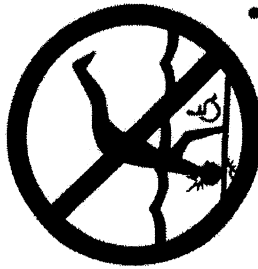
For winterizing instructions, please contact your pool dealer or the manufacturer.

! DANGER

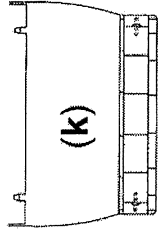
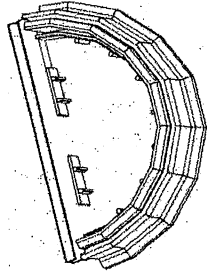
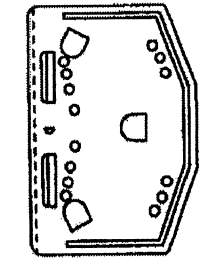
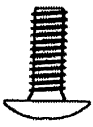
NO DIVING OR JUMPING SHALLOW WATER

DIVING MAY RESULT IN PERMANENT INJURY OR DEATH

- The use of a slide is not recommended.
- Children must be accompanied by an adult.
- Do not swim when using alcohol or drugs.
 - No glass in pool area.
- The use of a diving board is prohibited.
- Do not swim under, through or around your entry ladder.
 - No running, jumping, or horseplay in or around pool.
- Make sure guests are aware of the safety rules for your pool.



**TO AVOID SERIOUS INJURY ALL POOL USERS MUST KNOW AND FOLLOW THESE SAFETY RULES
IN CASE OF EMERGENCY CALL 911**



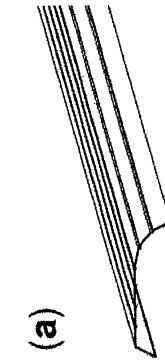
(c)

(m)

(g)

(p)

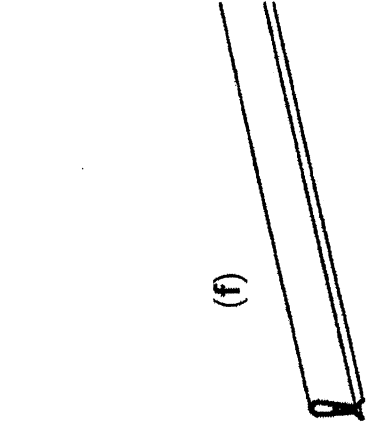
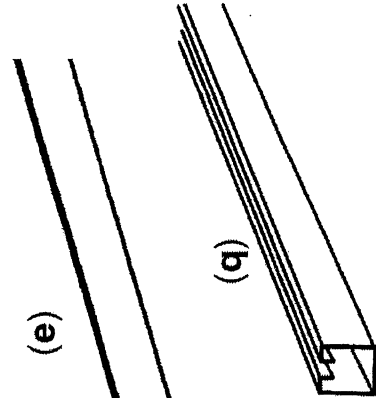
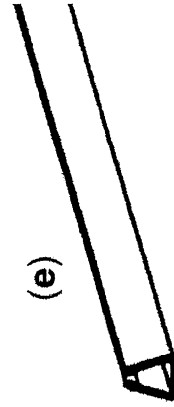
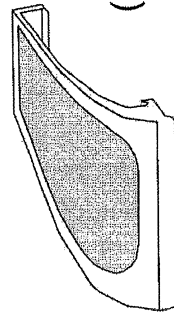
(k)



(a)

(b)

(m)

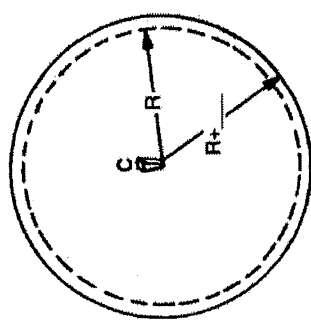


(d)

(e)

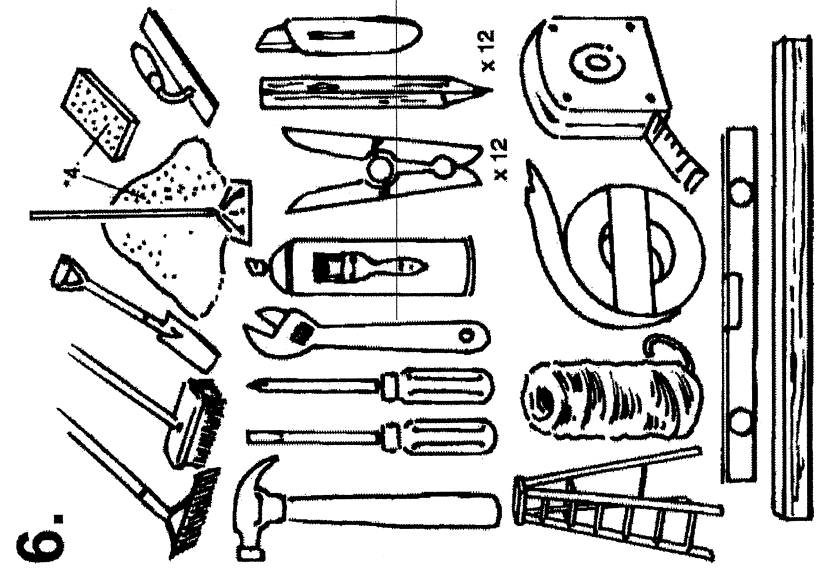
(q)

(f)



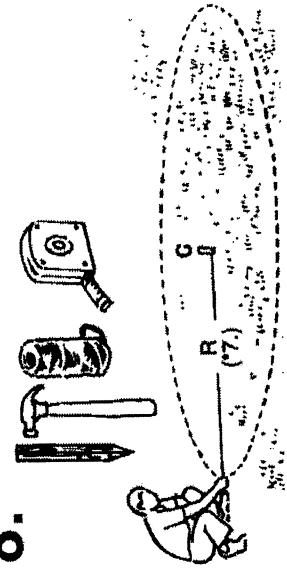
7.

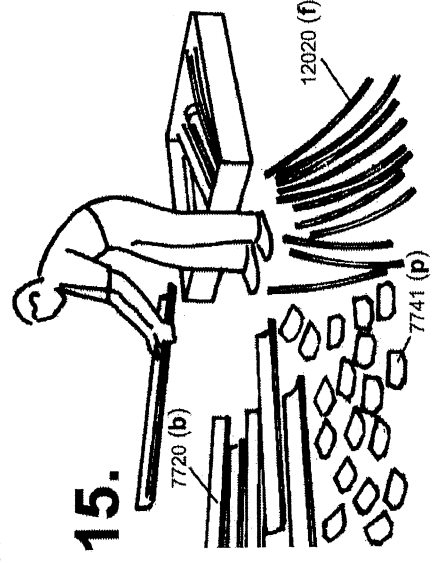
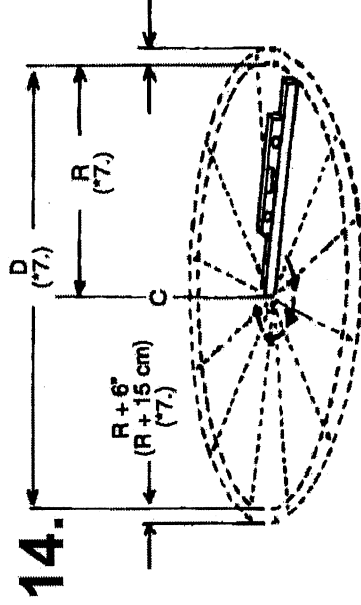
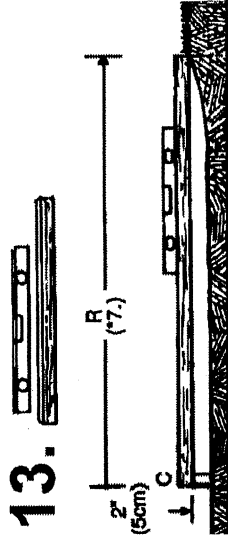
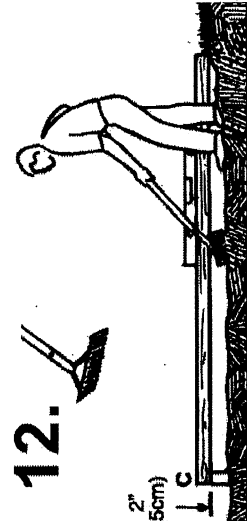
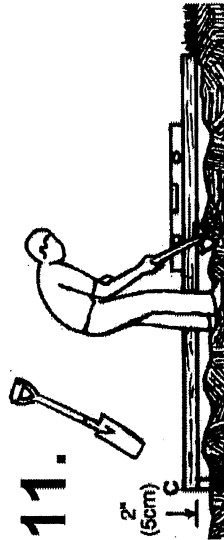
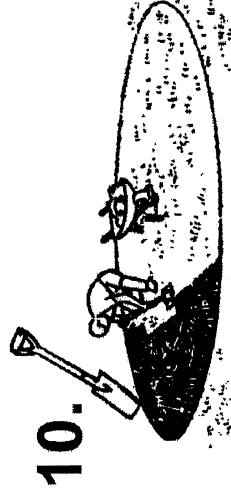
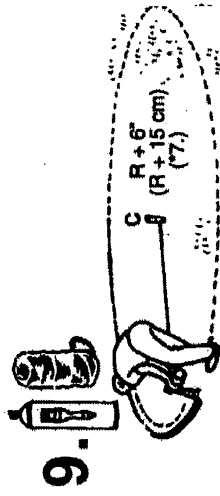
(D)	(R)	(R + 5')
8' Dia.	3'- 9 11/16"	4'- 3 11/16"
12' Dia.	6'- 0 5/8"	6'- 6 5/8"
15' Dia.	7'- 6 1/8"	8'- 0 1/8"
18' Dia.	8'- 11"	9'- 5"
21' Dia.	10'- 5 1/2"	10'- 11 1/2"
24' Dia.	11'- 11 3/8"	12'- 5 3/8"
27' Dia.	13'- 5"	13'- 11"
30' Dia.	14'- 11 1/4"	15'- 5 1/4"
33' Dia.	16'- 5"	16'- 11"
(D)	(R)	(R + 15cm)
2,40 m	1,16 m	1,31 m
3,70 m	1,85 m	2,00 m
4,60 m	2,29 m	2,44 m
5,50 m	2,72 m	2,87 m
6,40 m	3,19 m	3,34 m
7,30 m	3,64 m	3,79 m
8,20 m	4,09 m	4,24 m
9,10 m	4,55 m	4,71 m
10,01 m	5,00 m	5,18 m

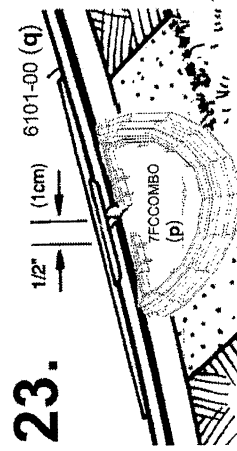
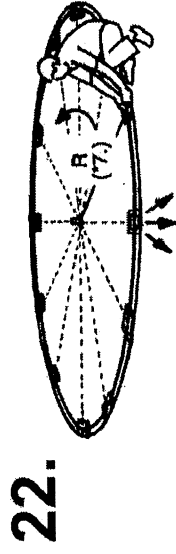
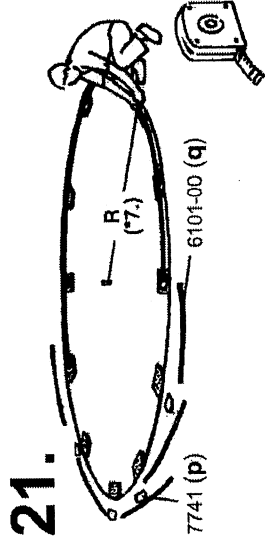
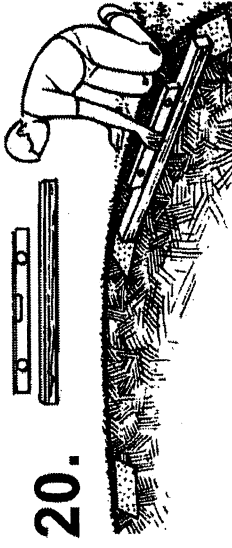
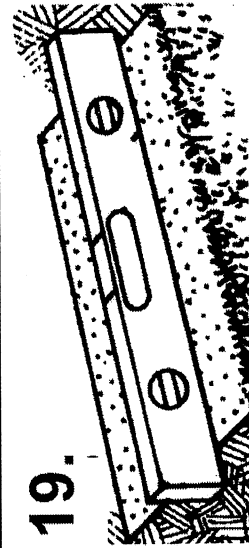
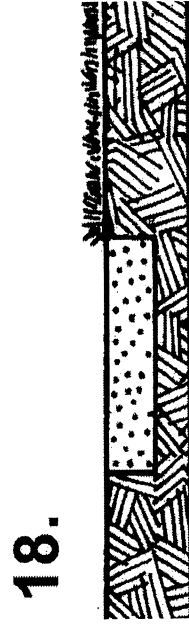
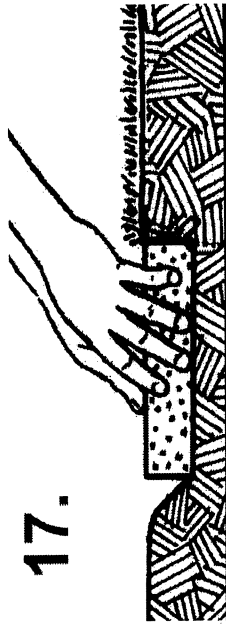
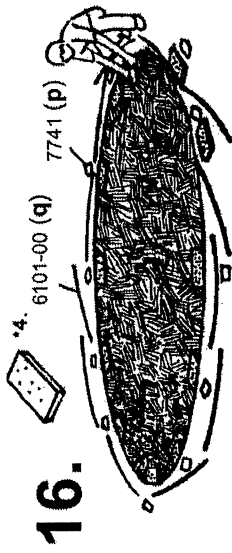


6.

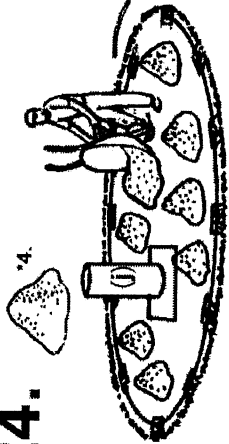
8.



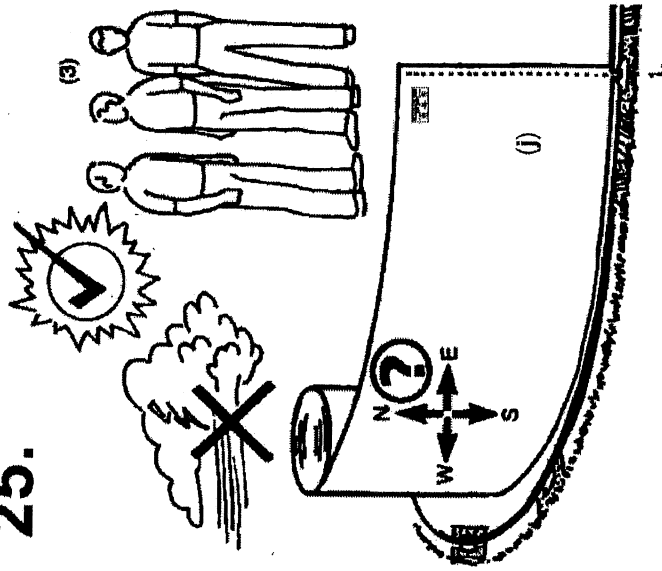




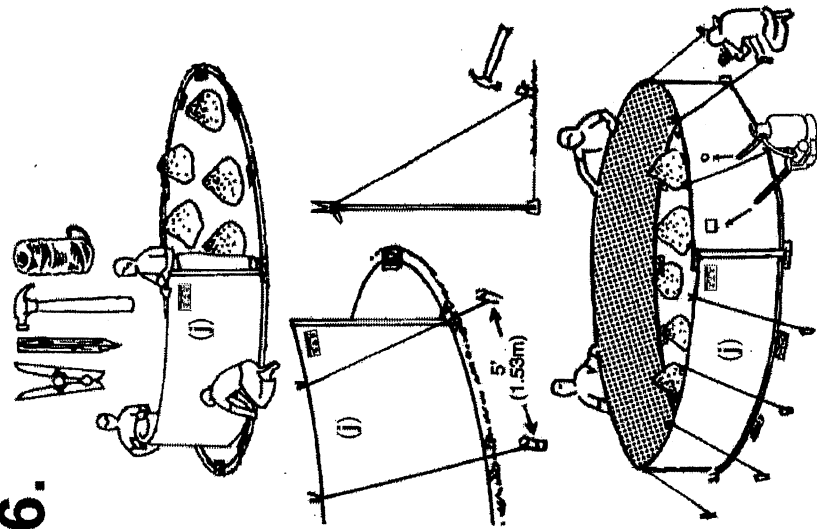
24.

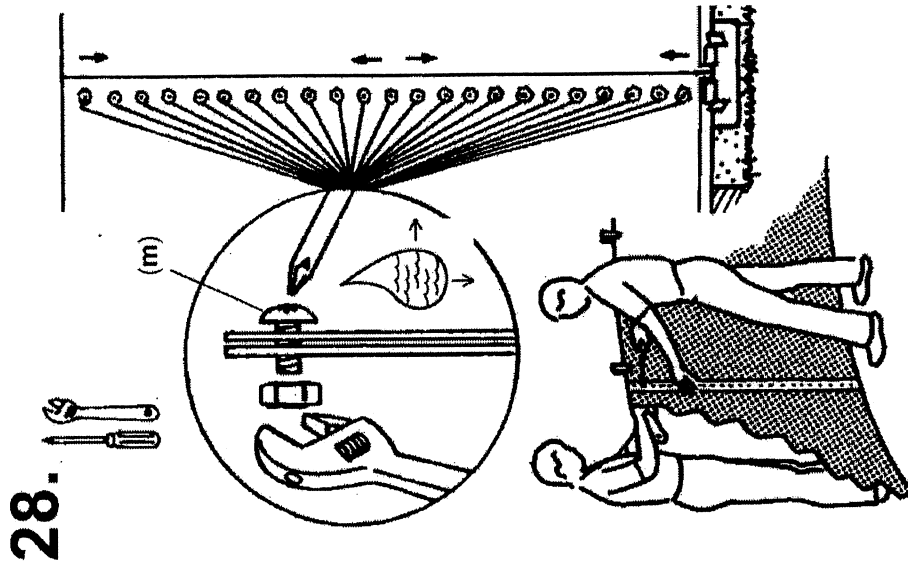
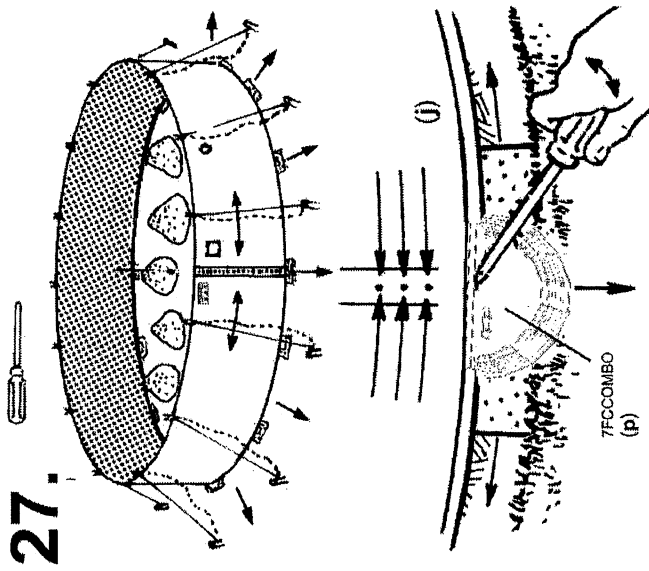


25.

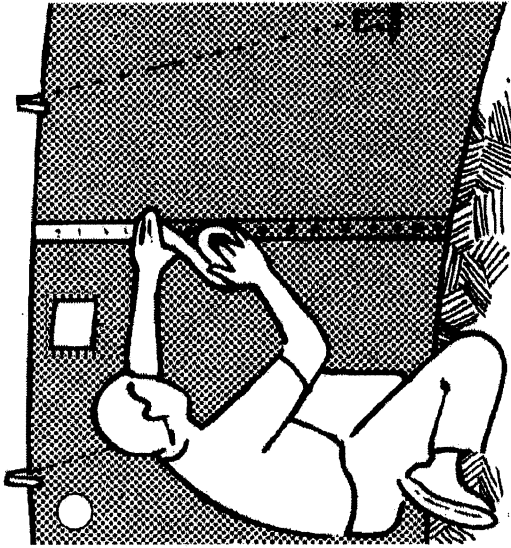


26.

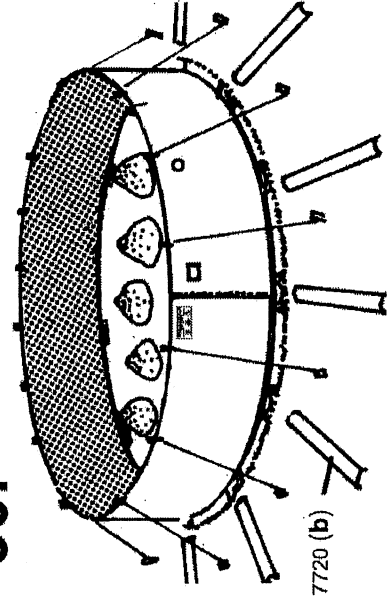




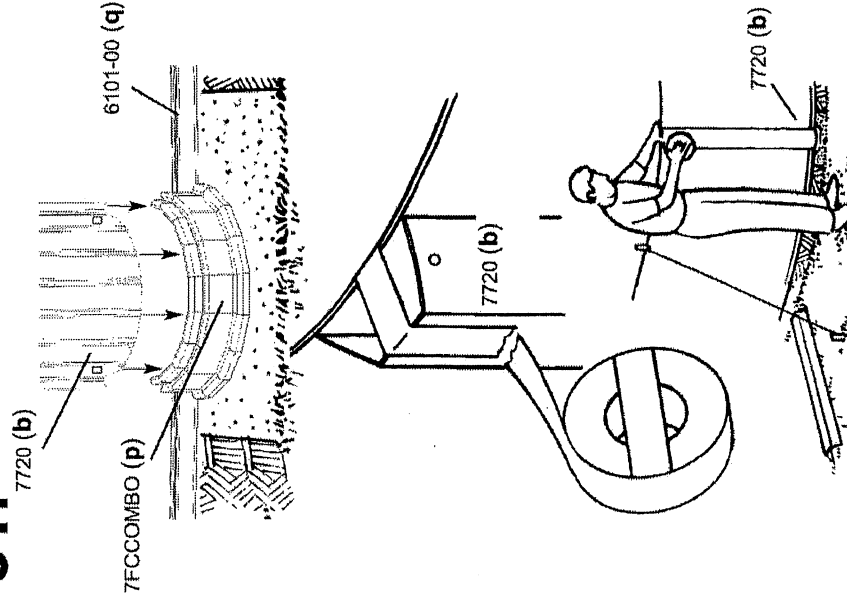
29. 

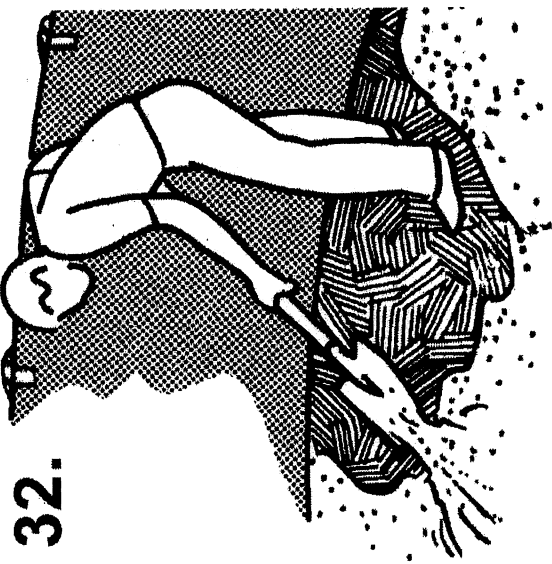


30.

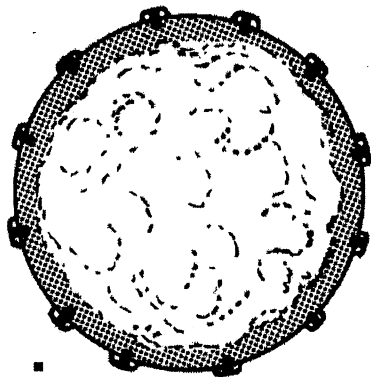


31.



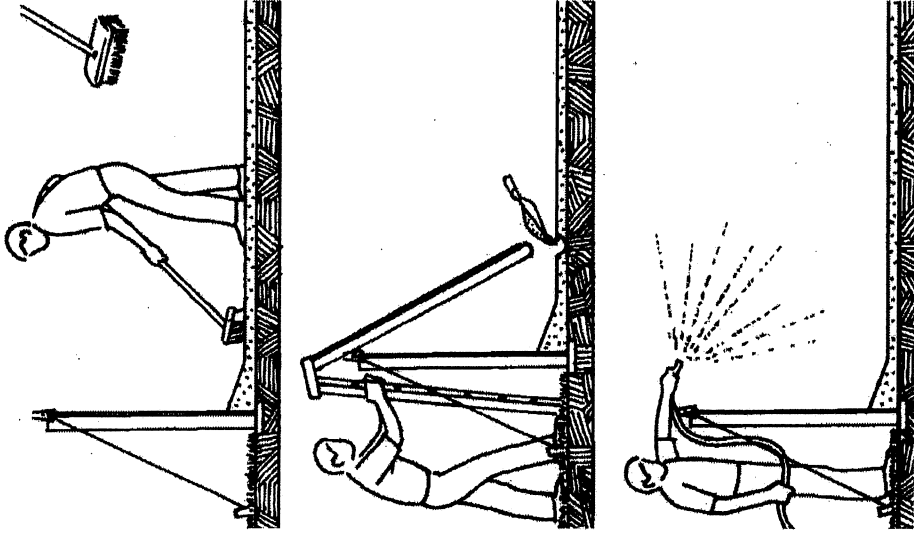
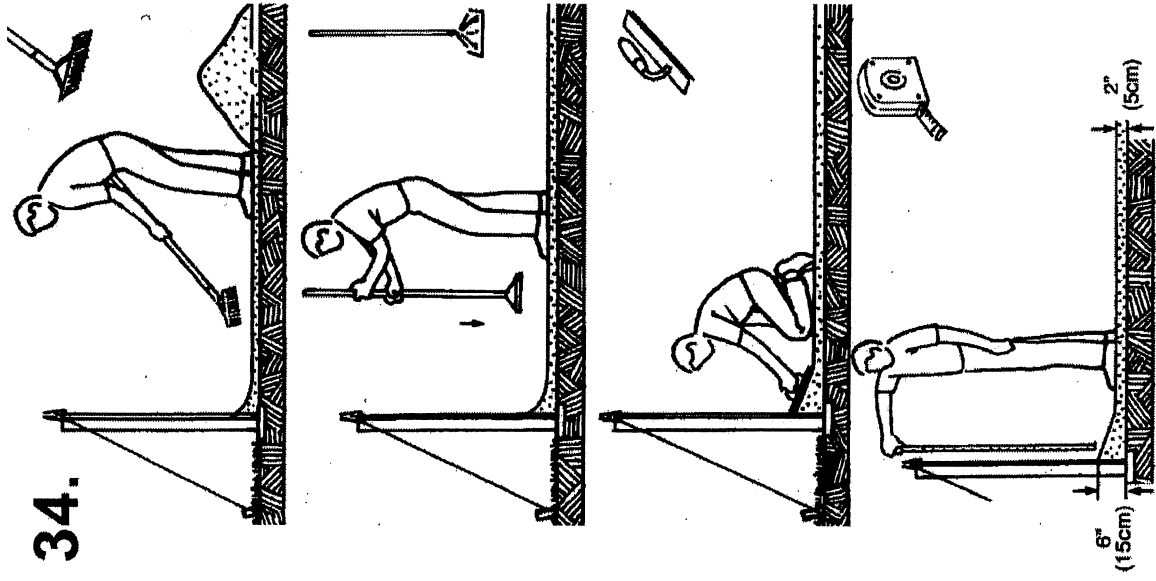


32.

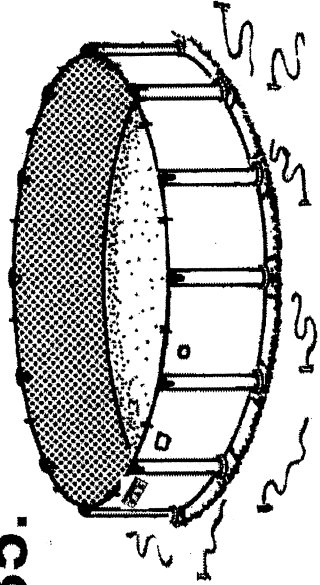


33.

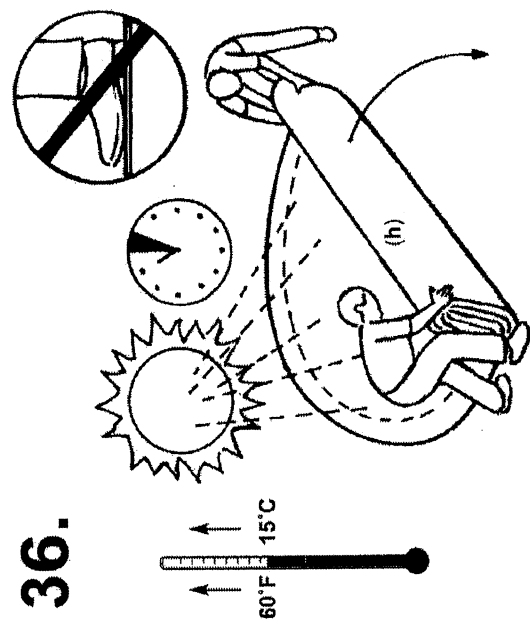
34.



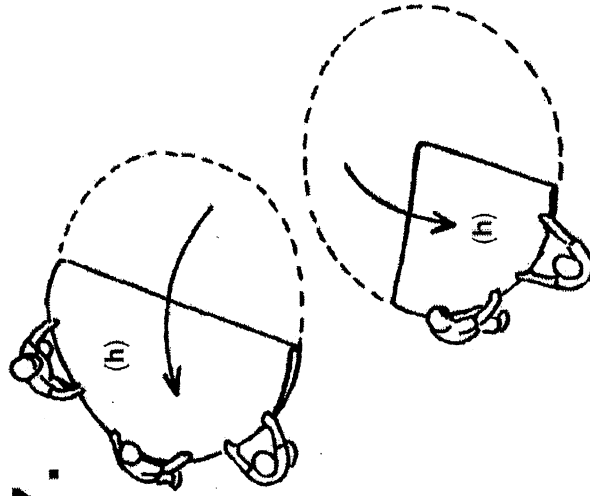
35.

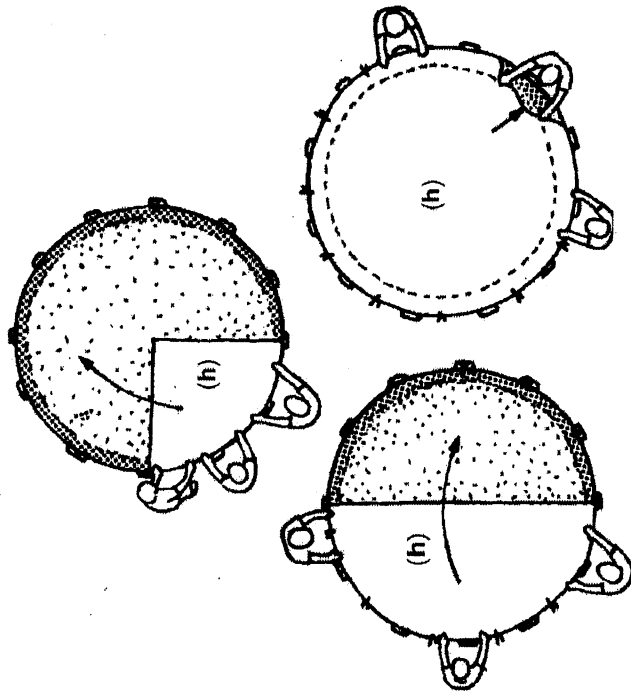
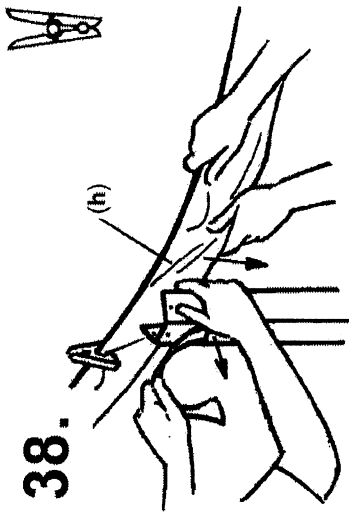
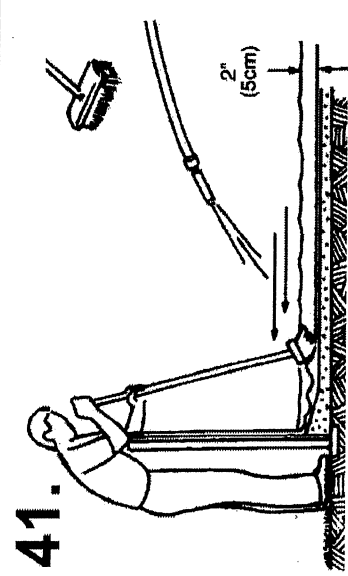
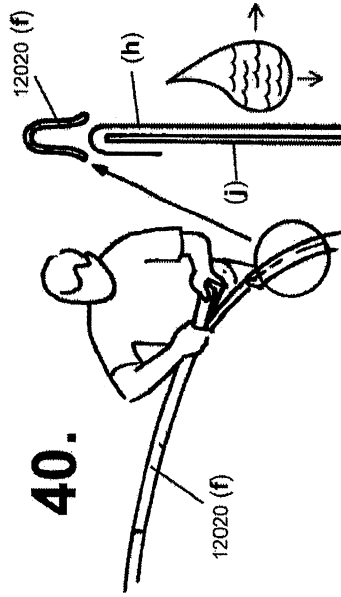
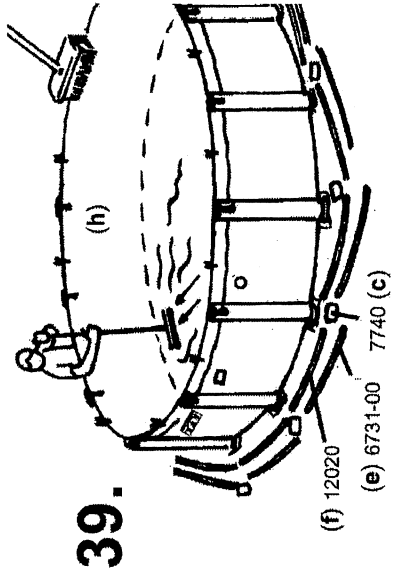


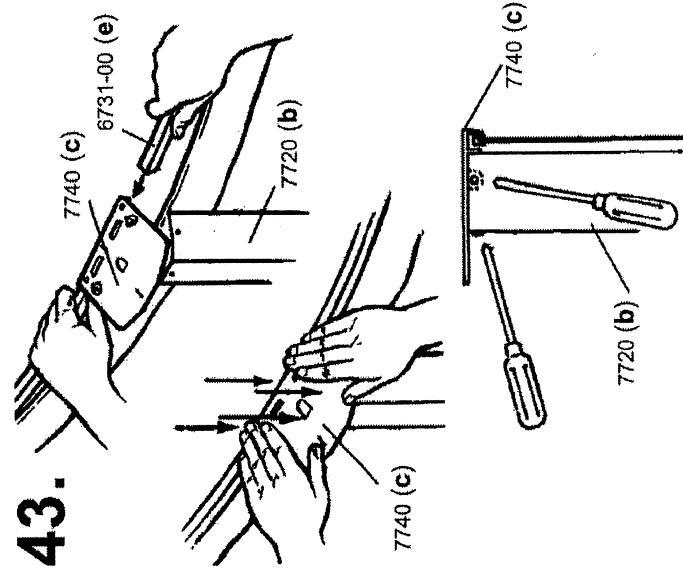
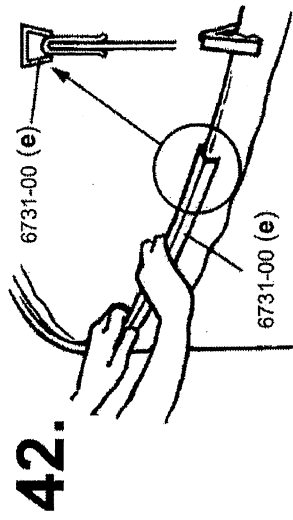
36.



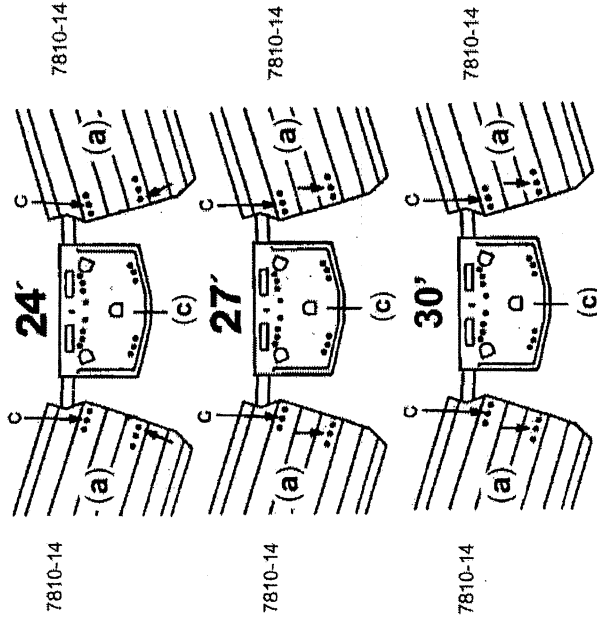
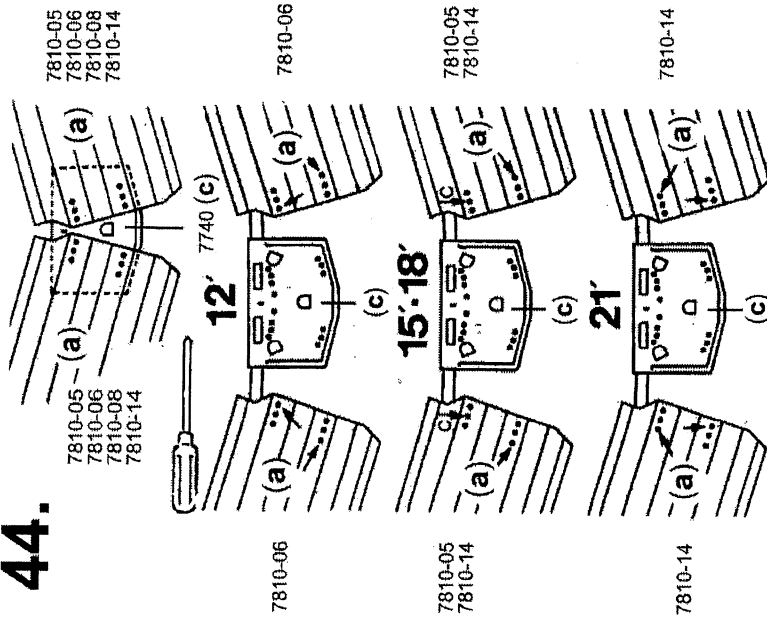
37.

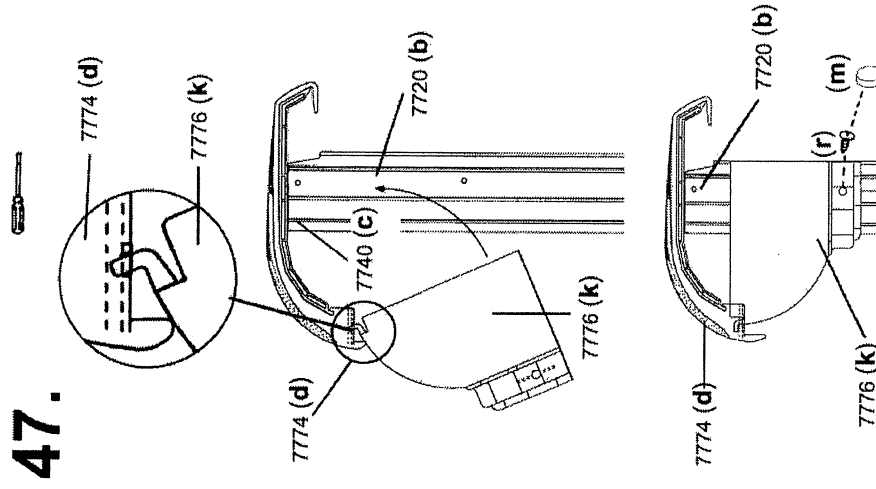
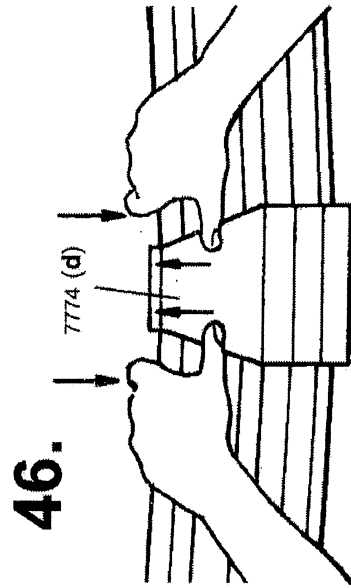
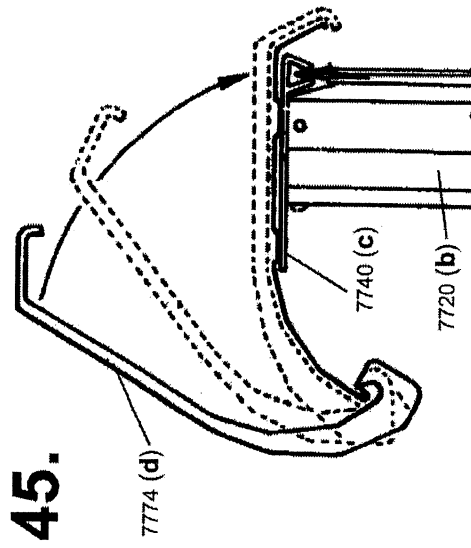


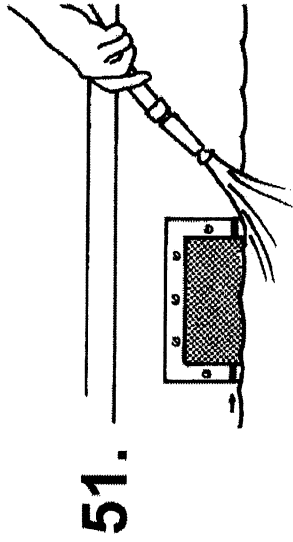
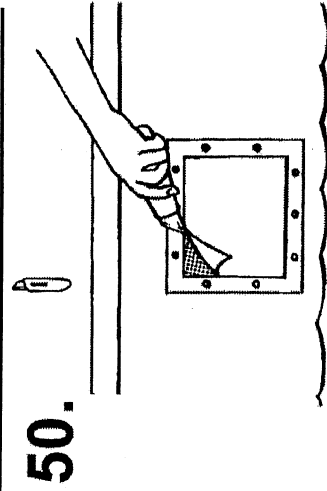
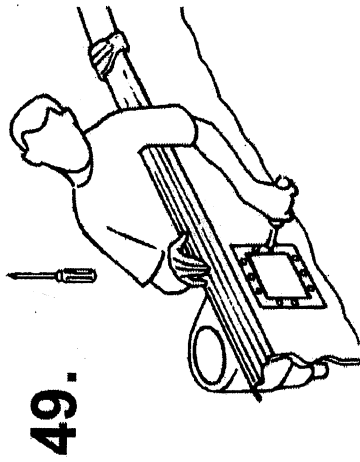
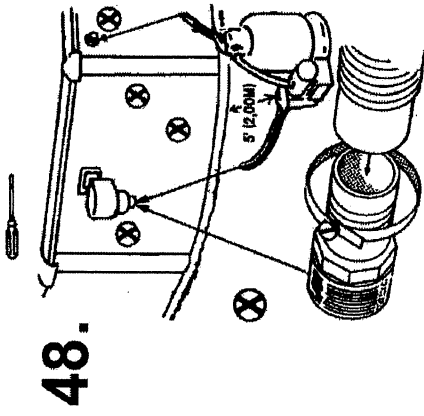




44.







****Note:** The filter/pump and skimmer shown are for illustration purposes only. Actual filtration system type may vary. Follow the manufacturer's instructions for filtration and skimmer hook-up.